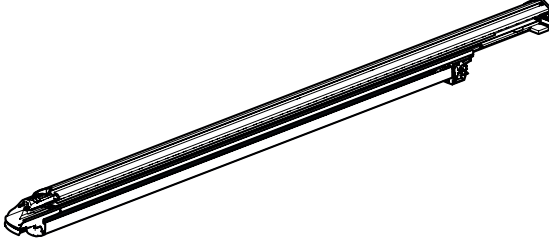
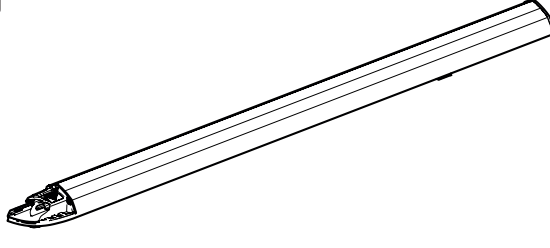
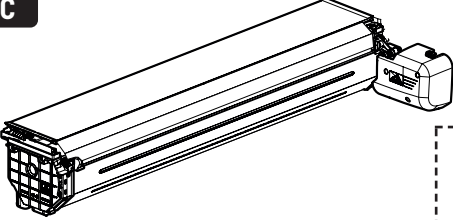





MOUNTAIN TOP[®] EVOe

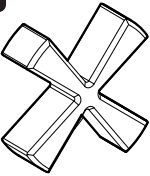


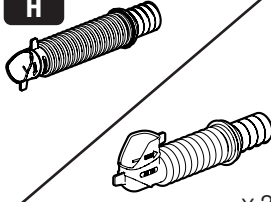
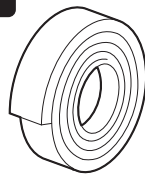
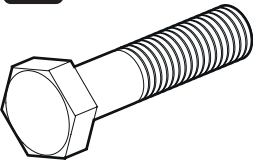
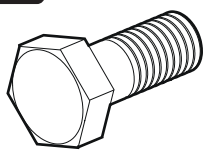
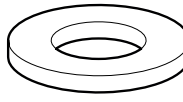
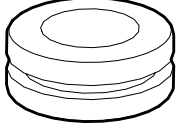
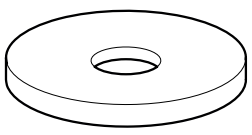
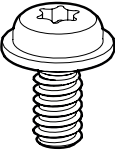
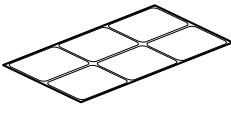
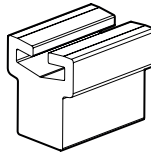
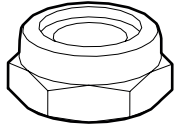

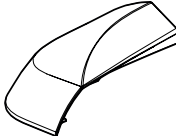
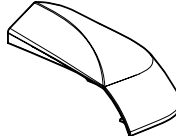
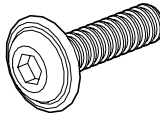
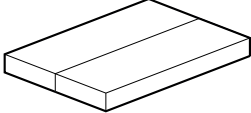
Installation manual



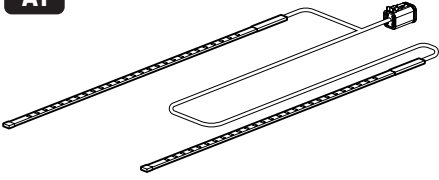
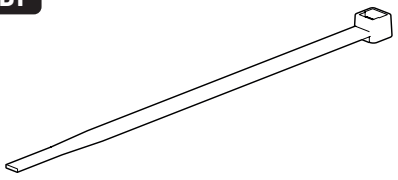
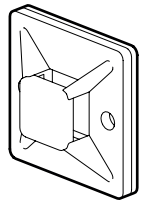
Parts

<p>A</p>  <p>x1</p>	<p>B</p>  <p>x1</p>
<p>C</p>  <p>x1</p> <div style="border: 1px dashed black; padding: 5px; display: inline-block;"> <p>H1</p>  <p>x2</p> </div>	<p>D</p>  <p>x1</p> <div style="border: 1px dashed black; padding: 5px; display: inline-block;"> <p>Y1</p>  <p>x1</p> </div>

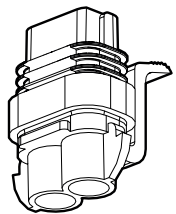

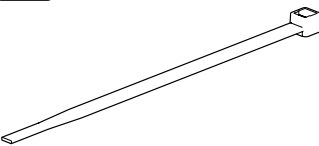
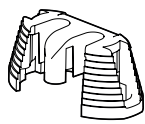
Kit

<p>E</p>  <p>x2</p>	<p>F</p>  <p>x6</p>	<p>G</p>  <p>x6</p>	<p>H</p>  <p>x2</p>	<p>I</p>  <p>x1</p>
<p>J</p>  <p>M8x45 x6</p>	<p>K</p>  <p>M8x10 x6</p>	<p>L</p>  <p>x6</p>	<p>M</p>  <p>x1</p>	<p>N</p>  <p>x12</p>
<p>O</p>  <p>x5</p>	<p>P</p>  <p>x1</p>	<p>R Isuzu 10+11</p>  <p>x1</p>	<p>S</p>  <p>x6</p>	<p>T</p>  <p>x2</p>
<p>U</p>  <p>x1</p>	<p>V</p>  <p>x1</p>	<p>X</p>  <p>x2</p>	<p>Y</p>  <p>x1</p>	

Kit

A1	B1	C1
		
x1	x6	x6

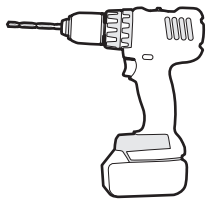

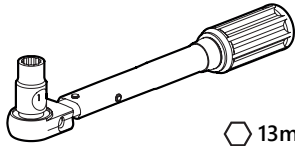
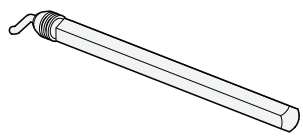
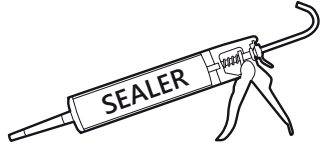
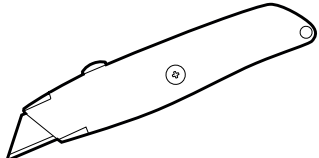
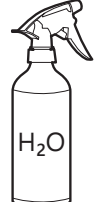
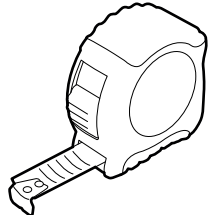
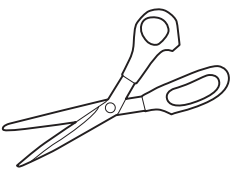
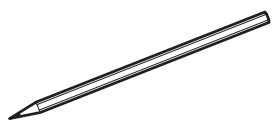

Power supply kit

D1	E1	F1	G1
			
x1	x1	x10	x1

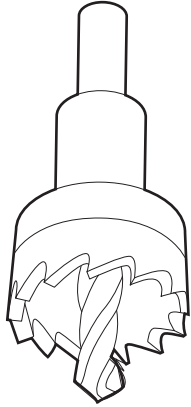
Kit

		
Manual	TÜV	Owners Manual
x1	x1	x1

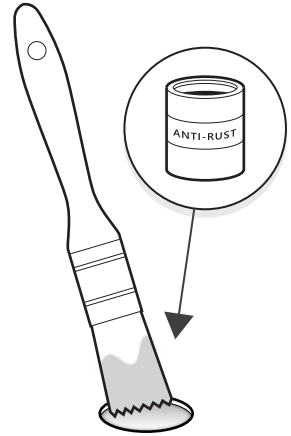
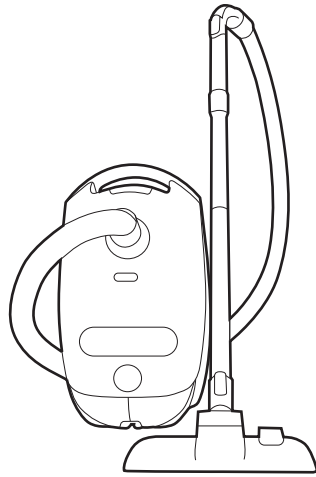
Tools needed

	1 - 25 Nm	
Ø3.5MM		Rust protection Rostschutzmittel Anti-rouille Anti roest
		
	H ₂ O	
		
		
		LOCTITE 243

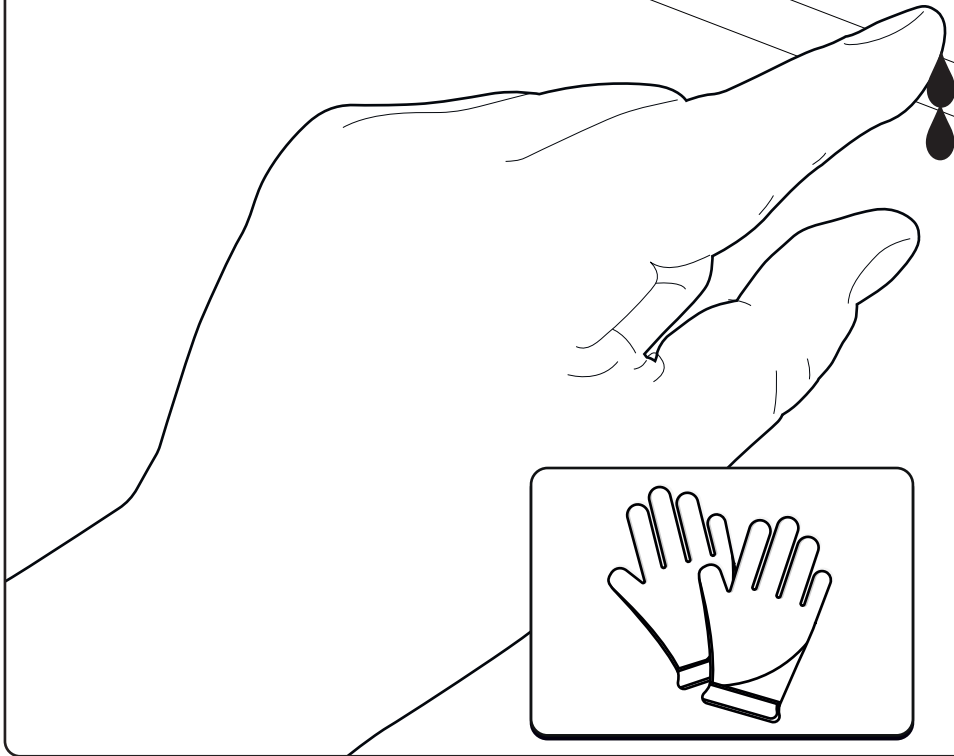
Applying rust protection



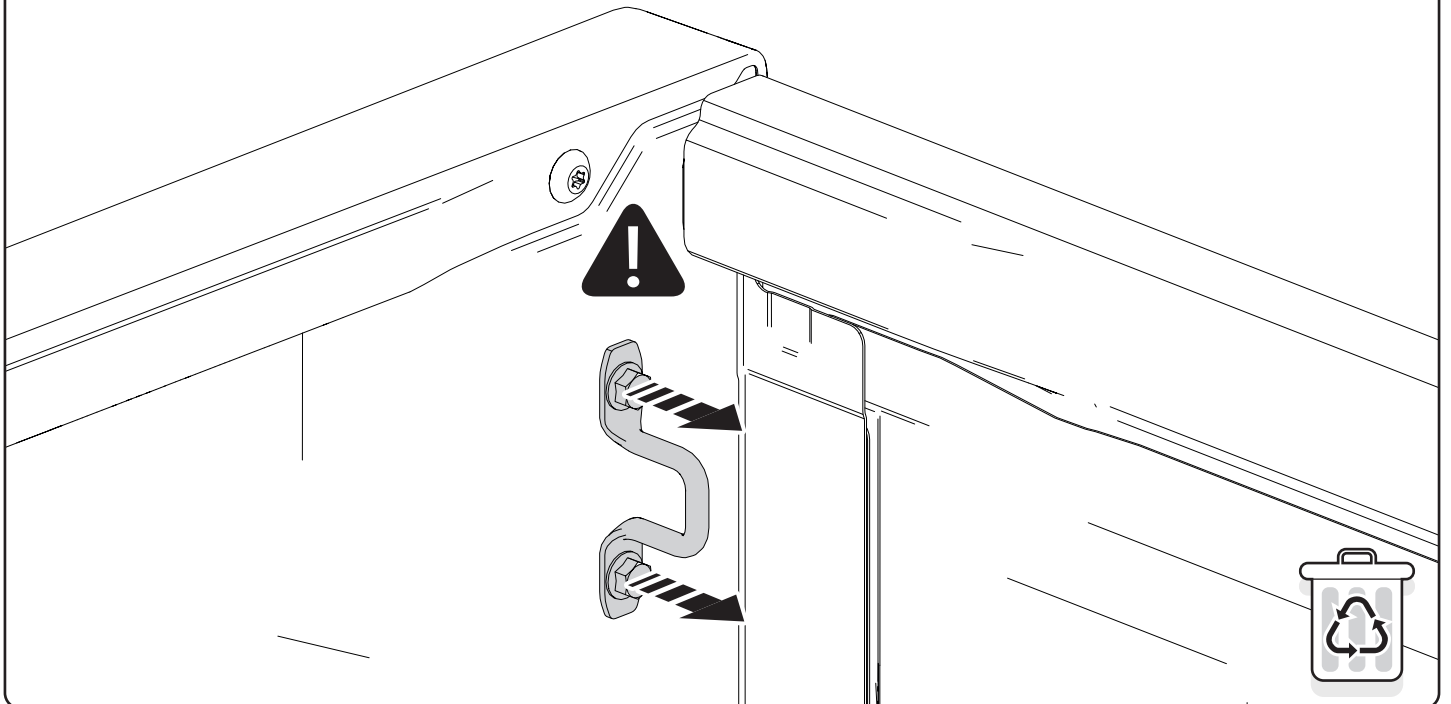
Ø40/22 + Ø18 MM

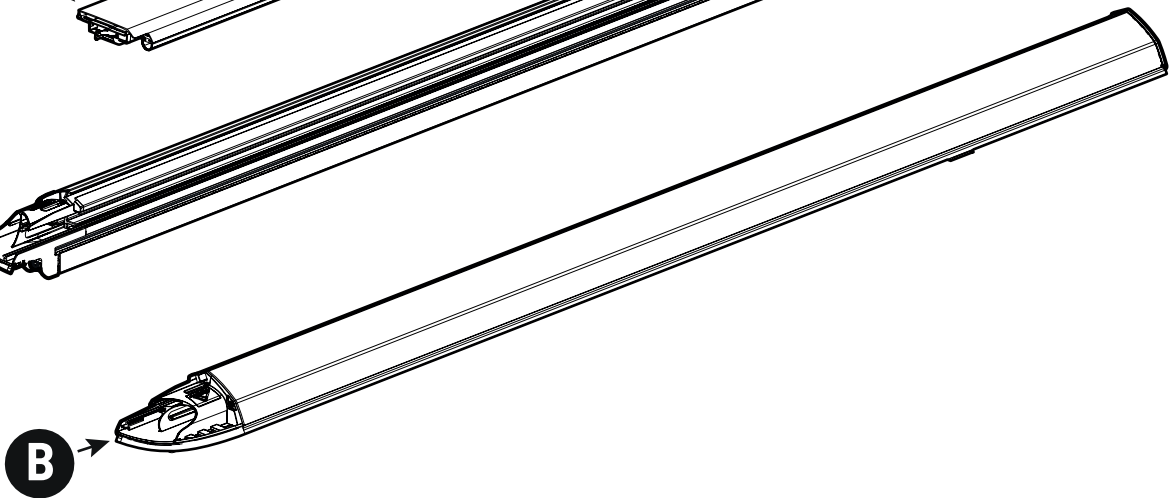
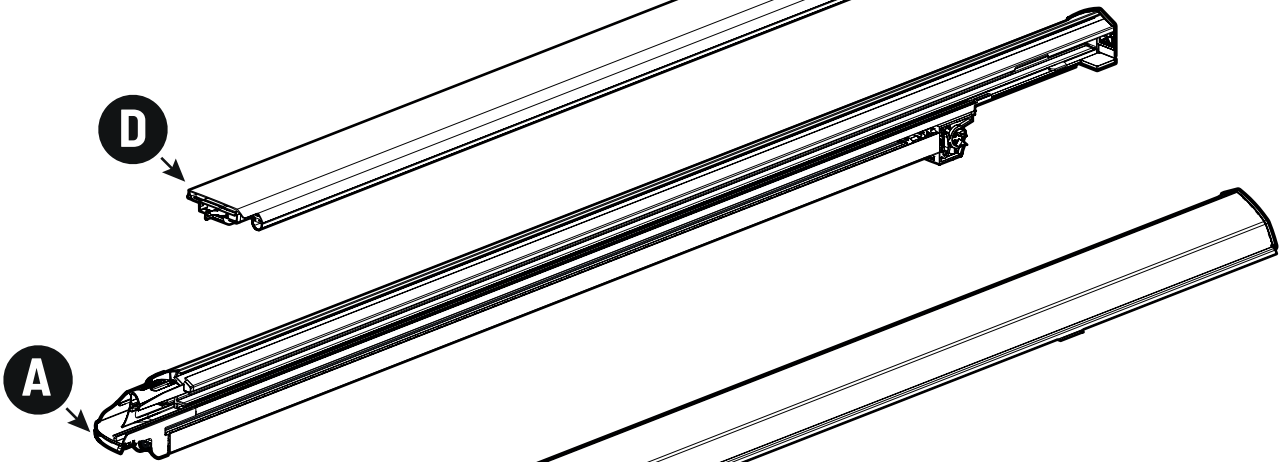
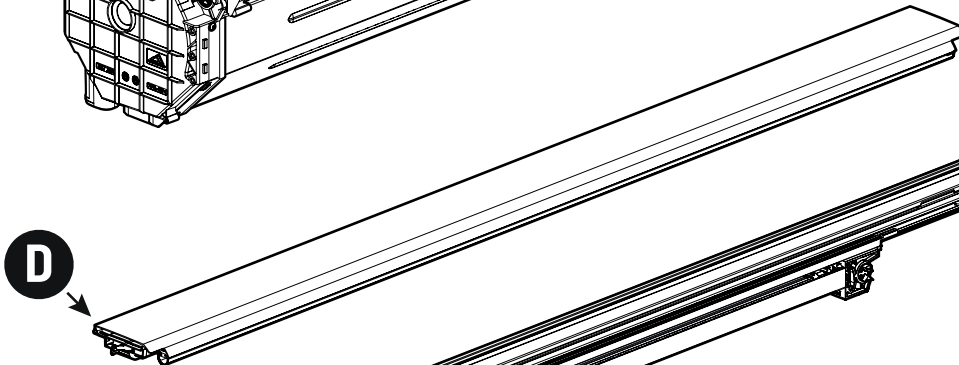
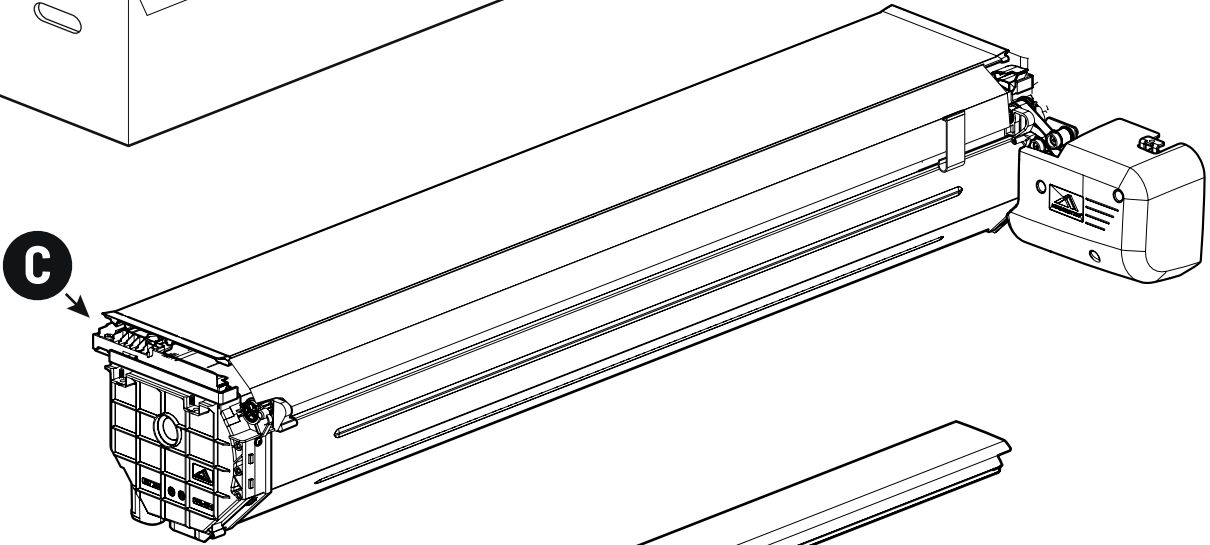
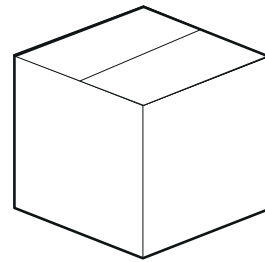
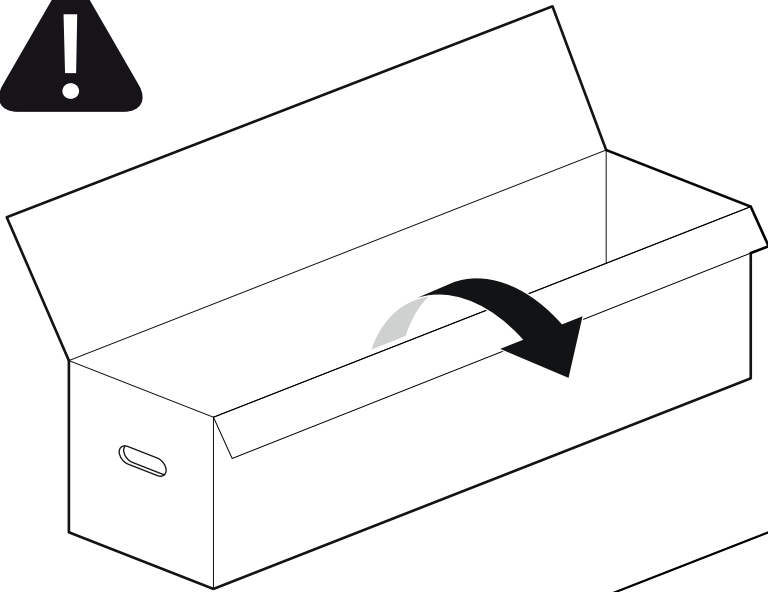


Sharp edge



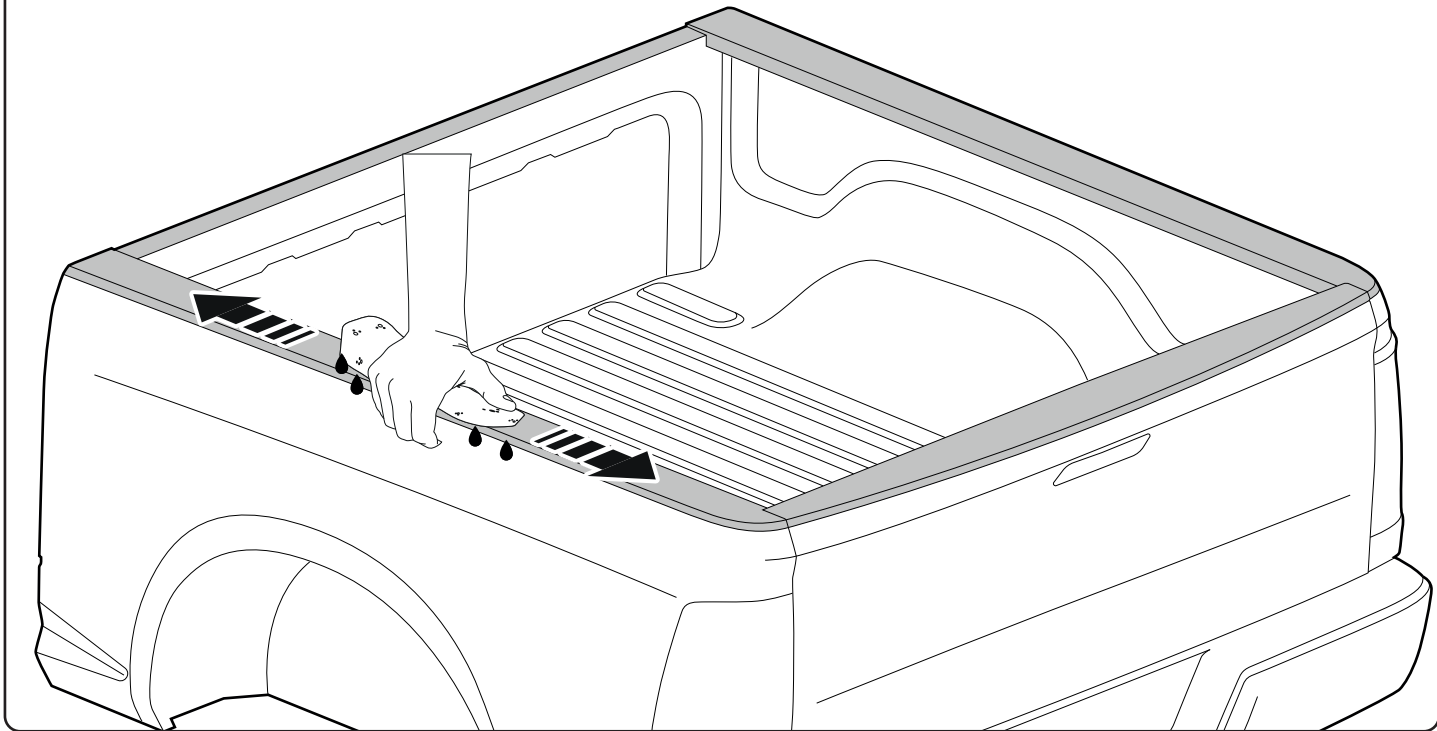
Isuzu 10+11



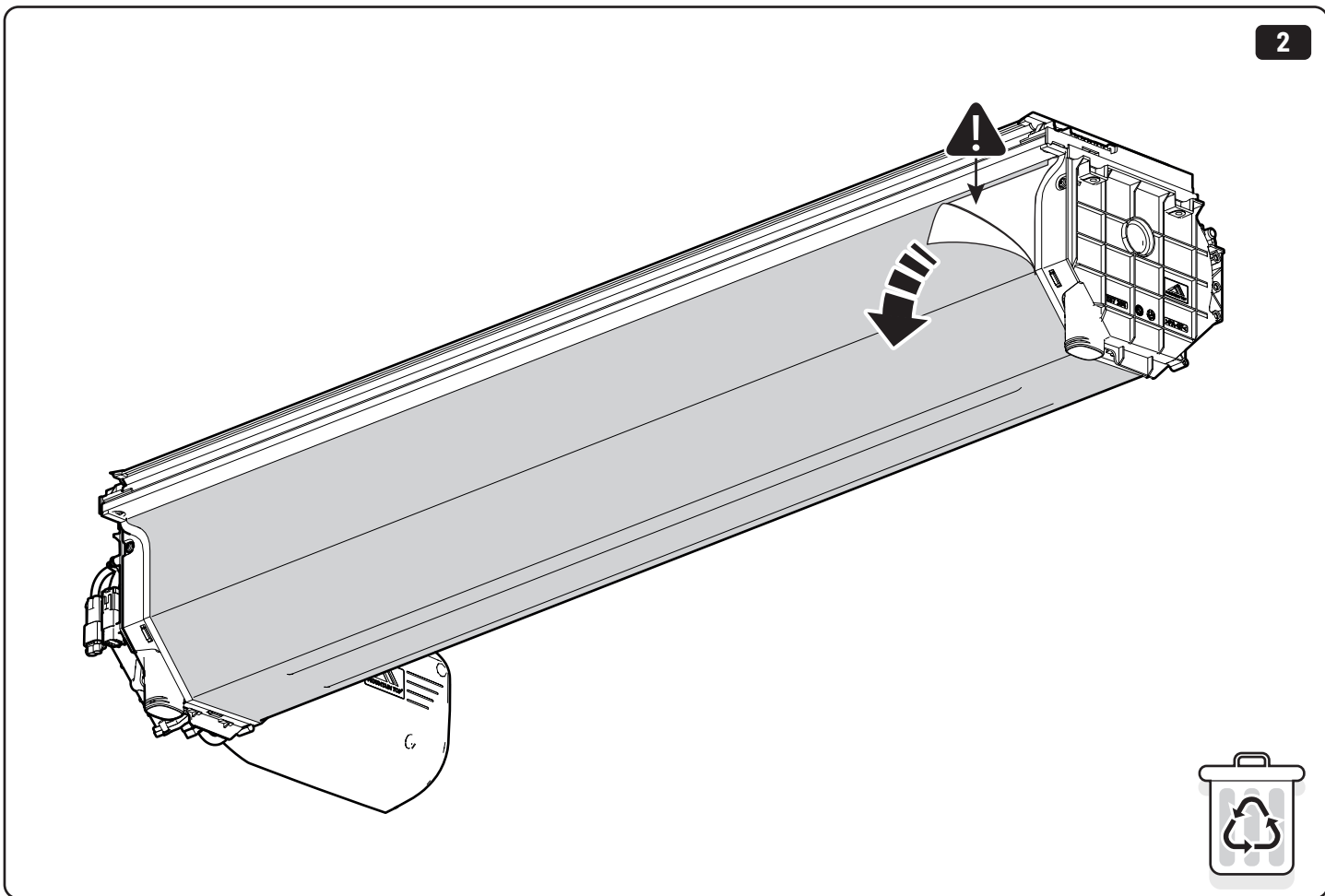


 **Water & sponge**

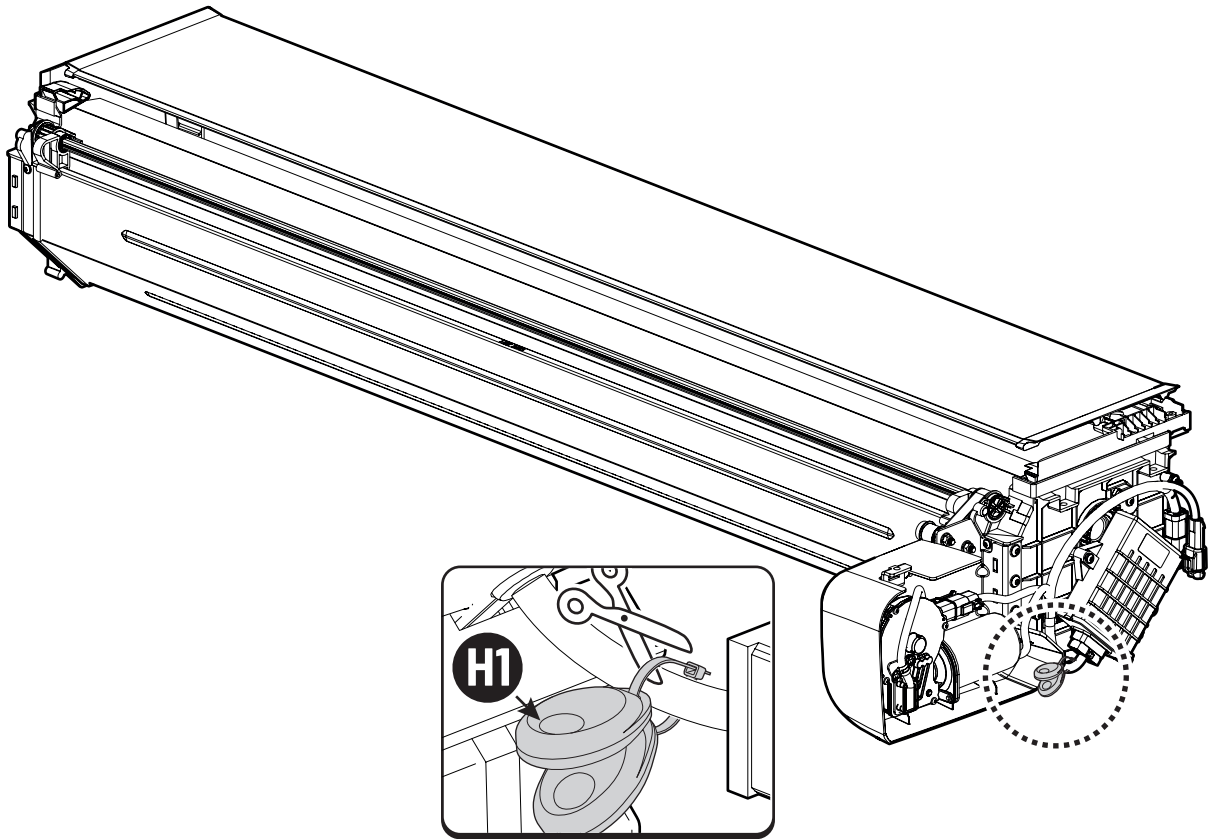
1



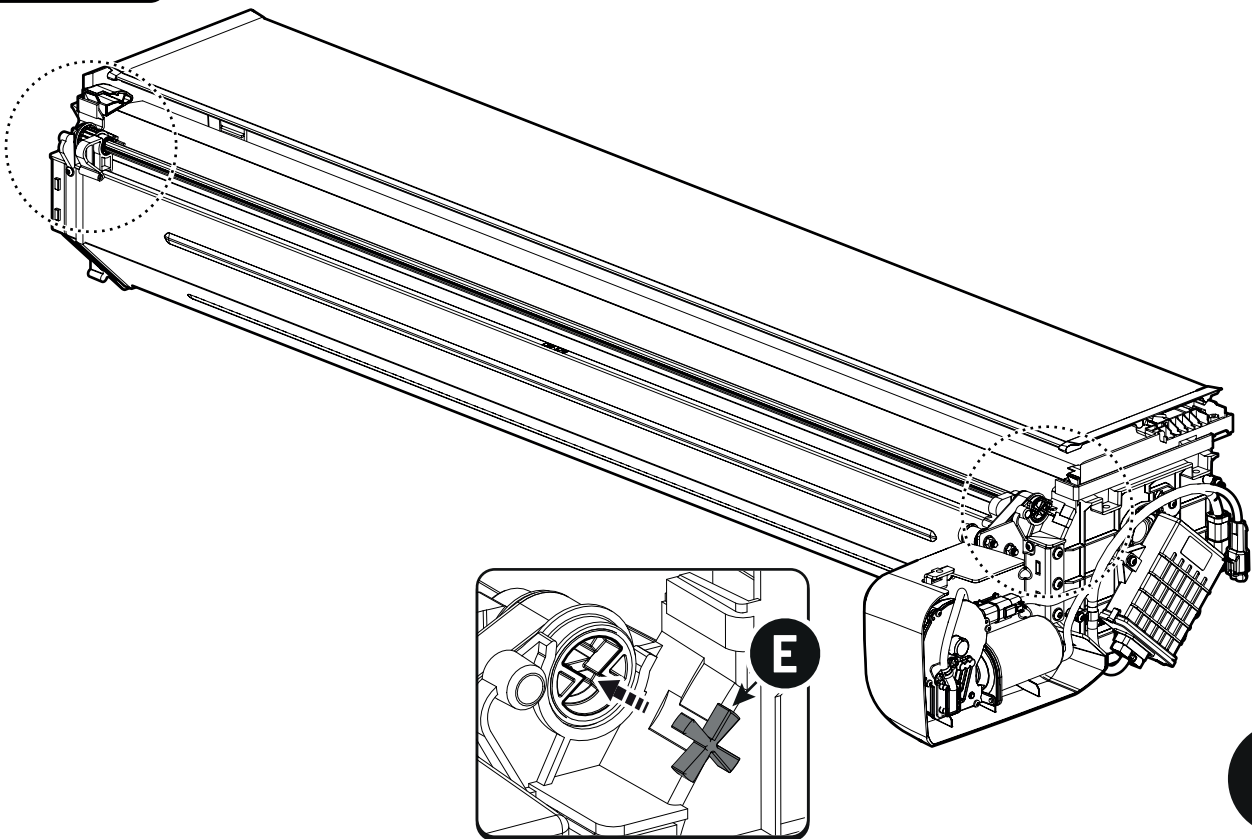
2



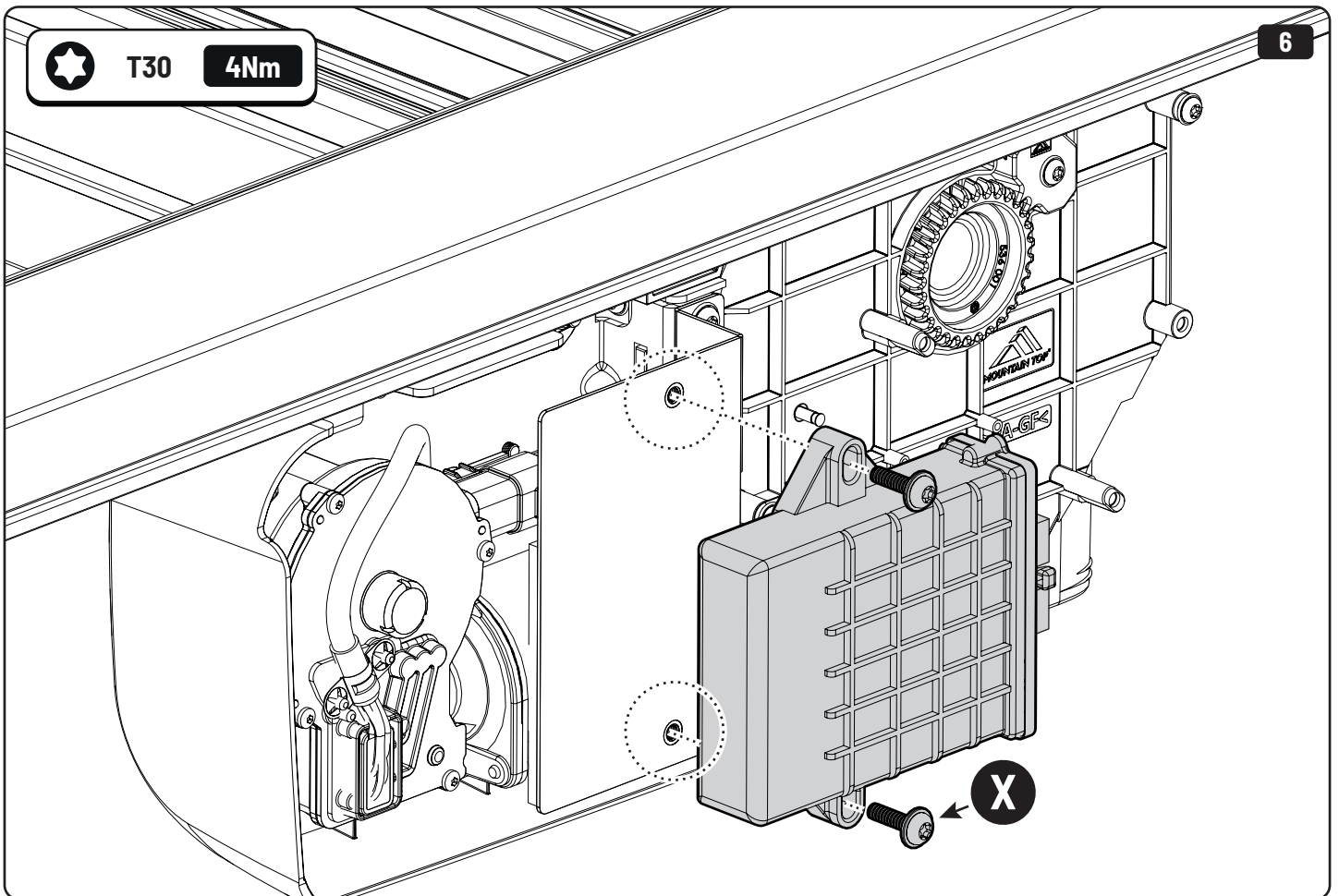
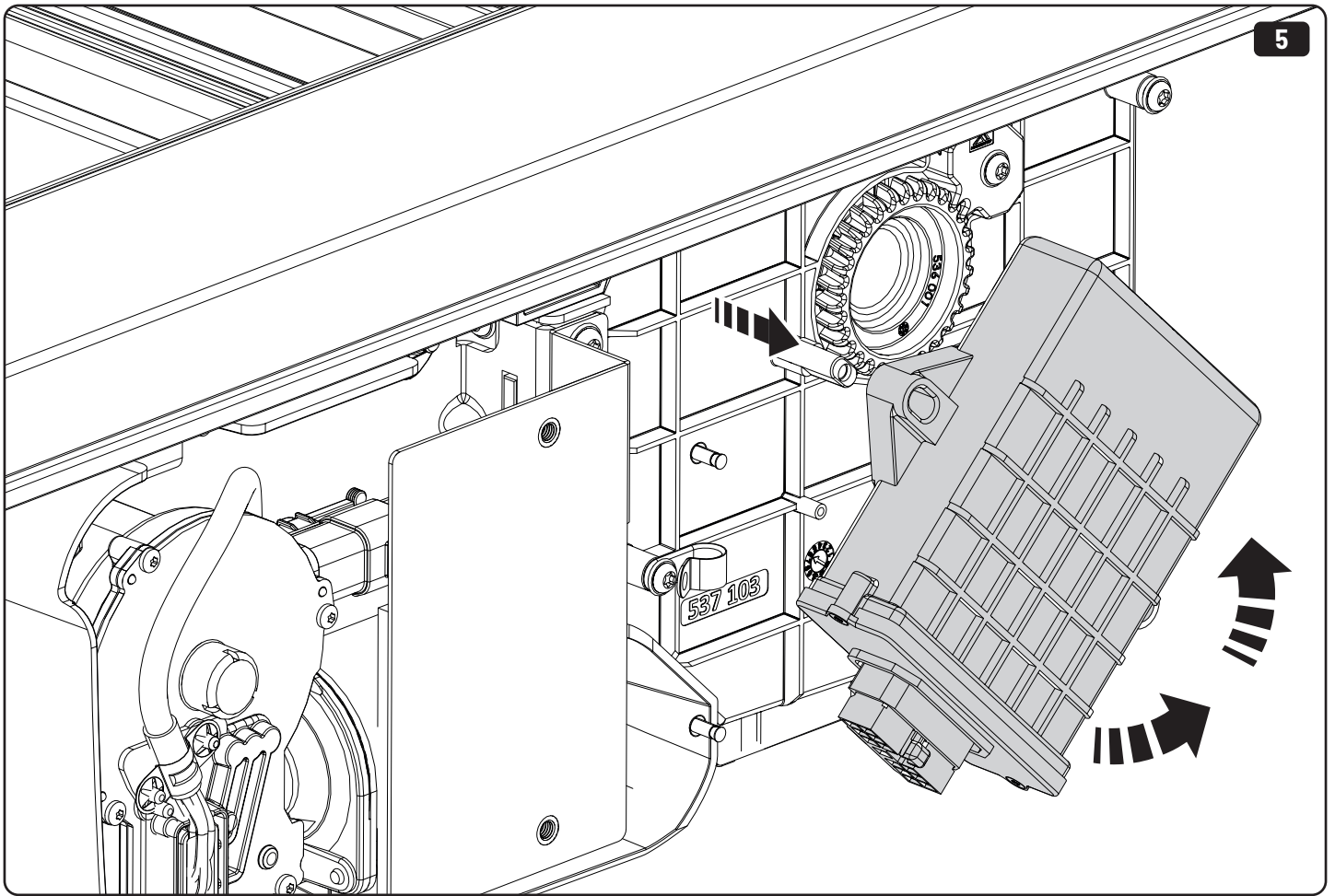
3

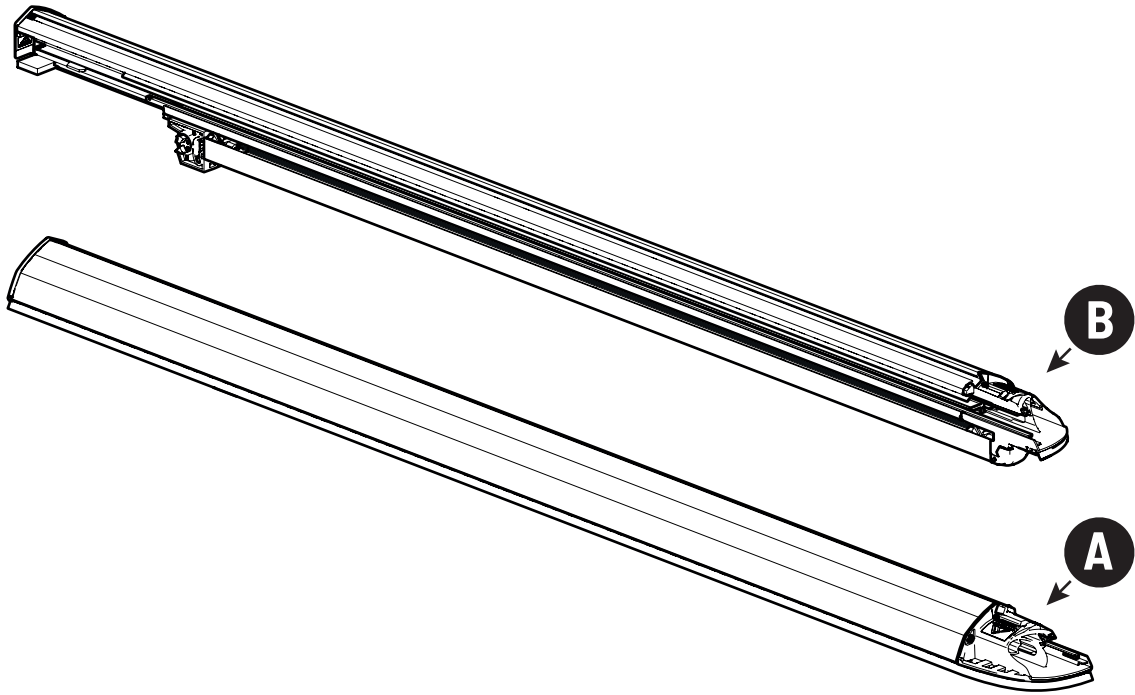


4



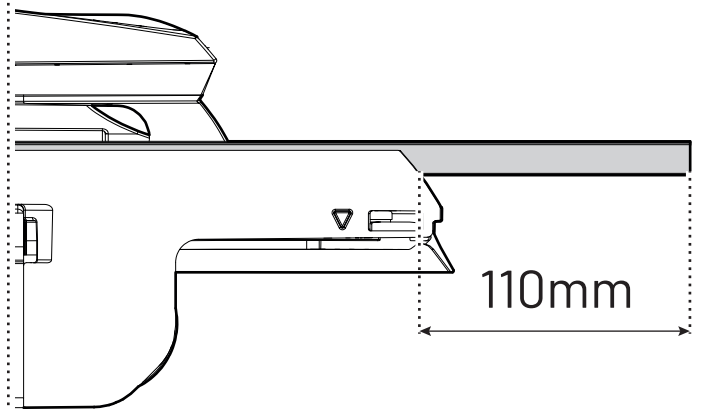
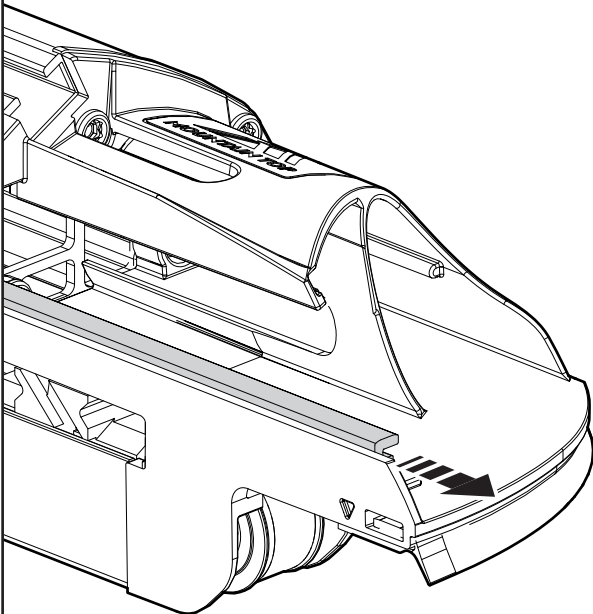
x2

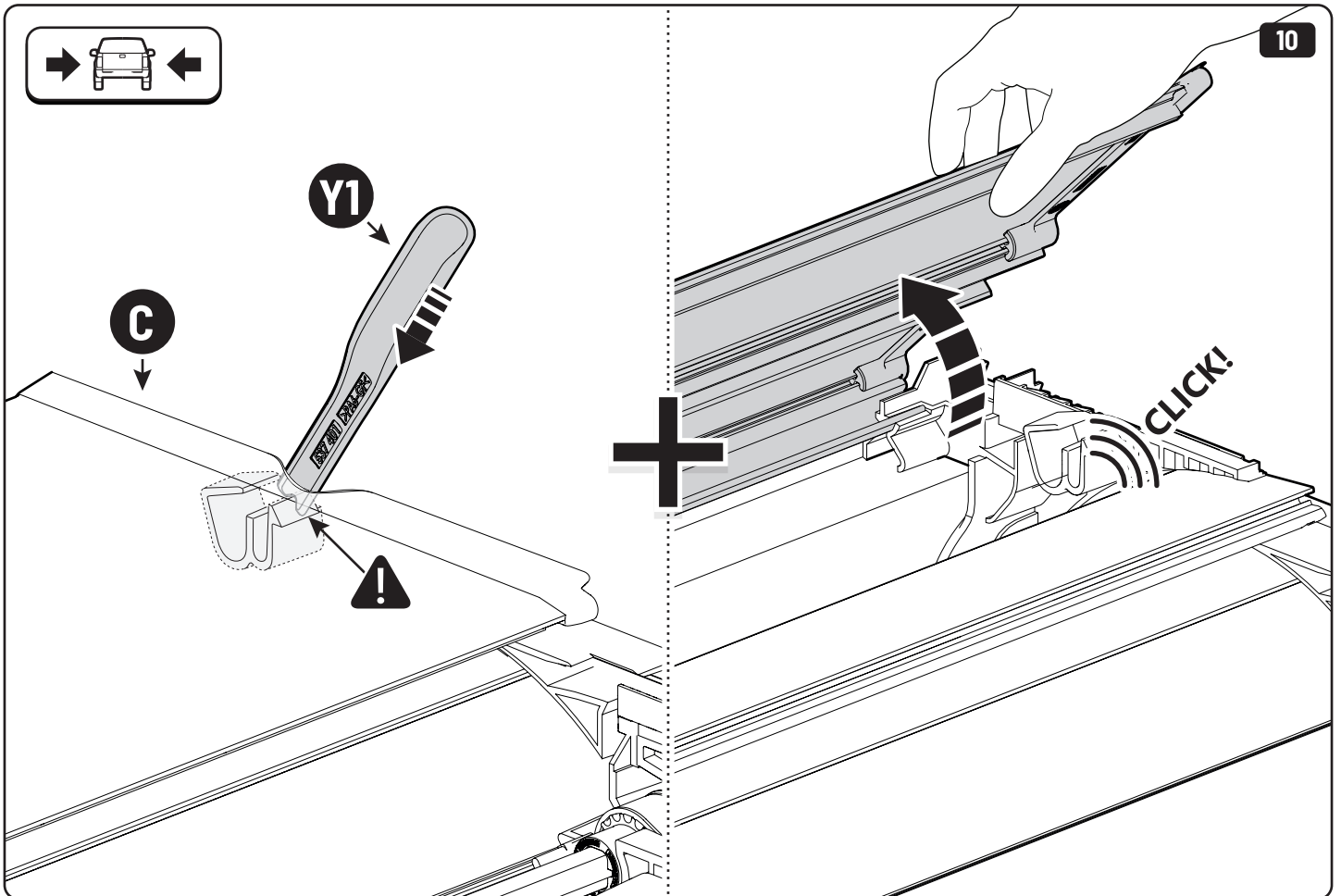
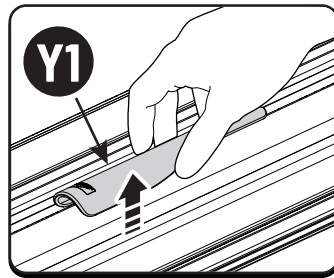
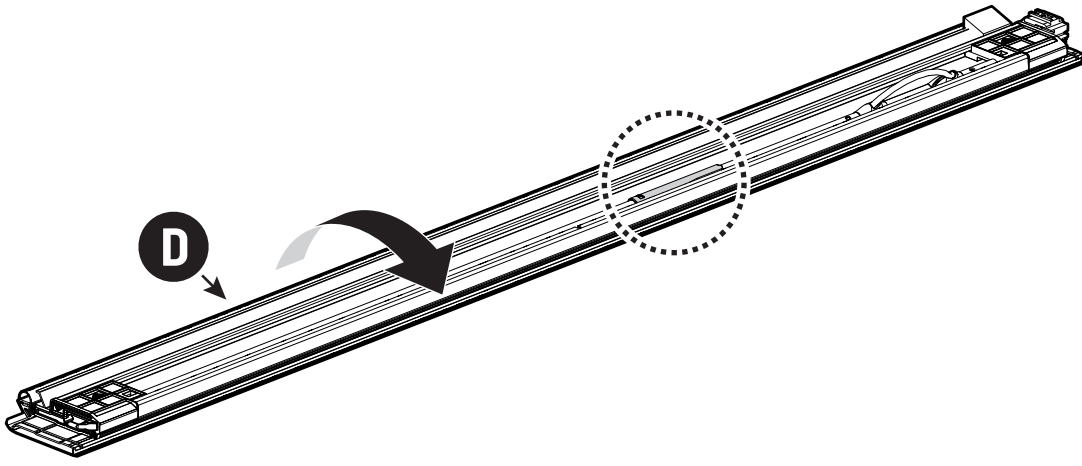


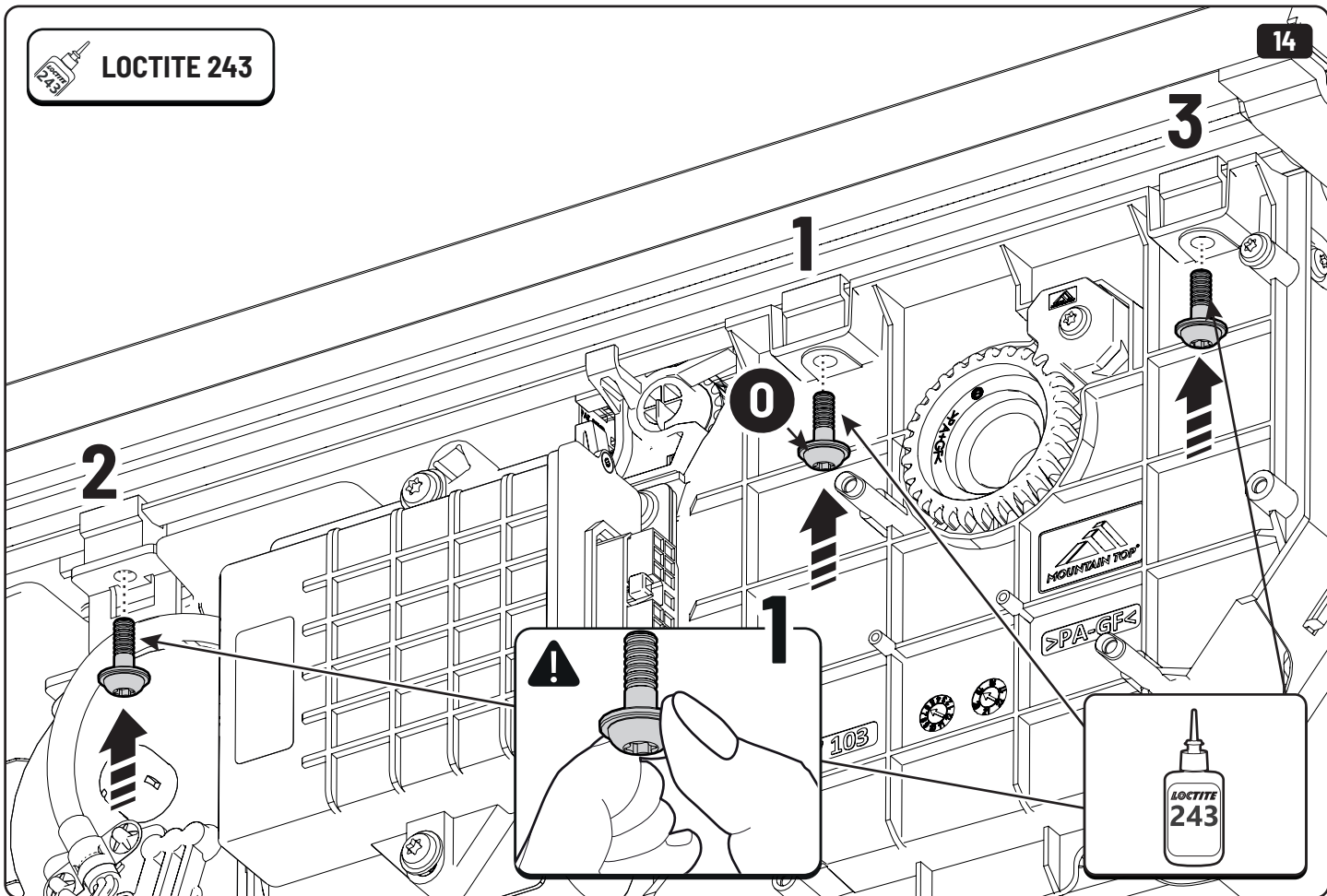
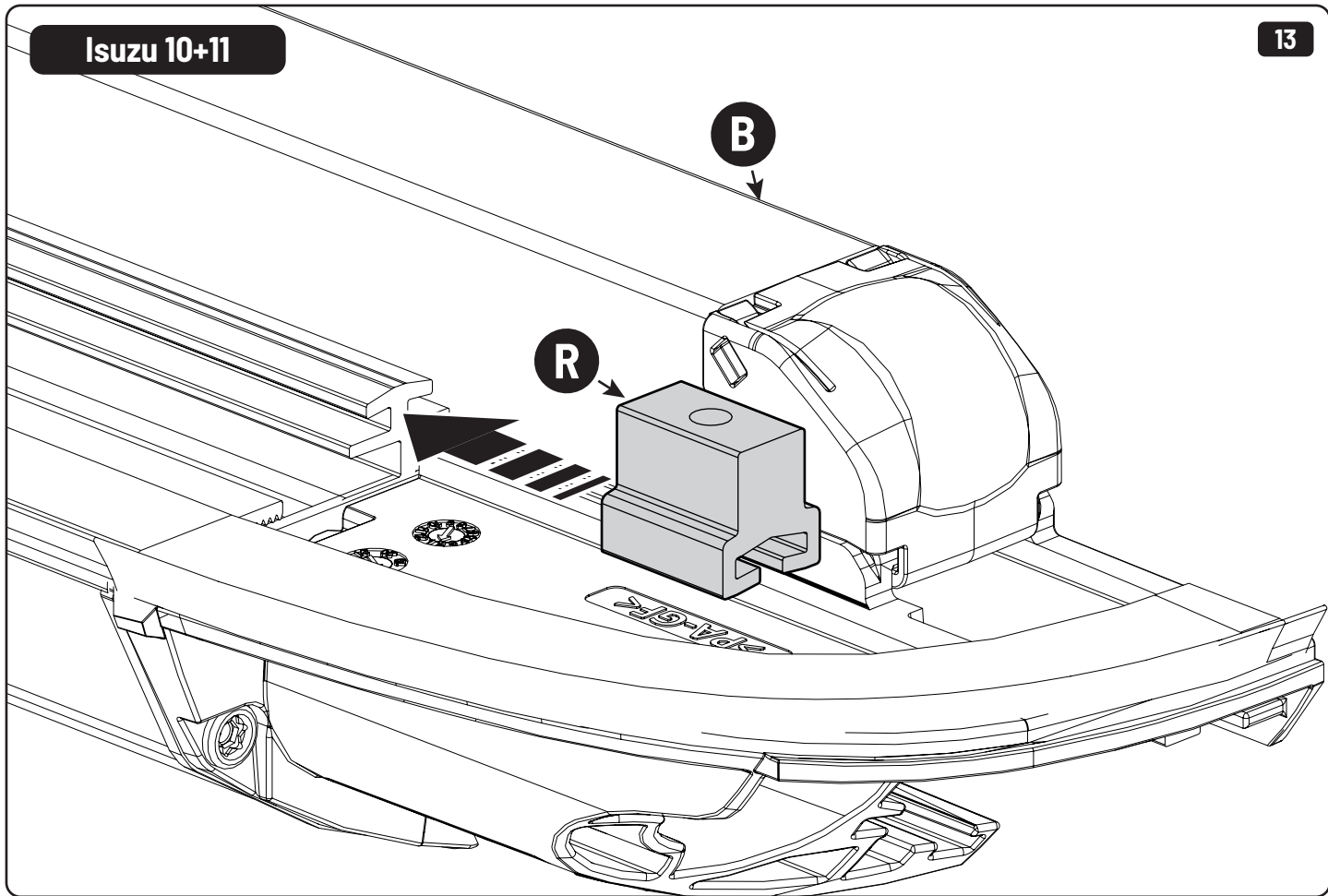


1

2





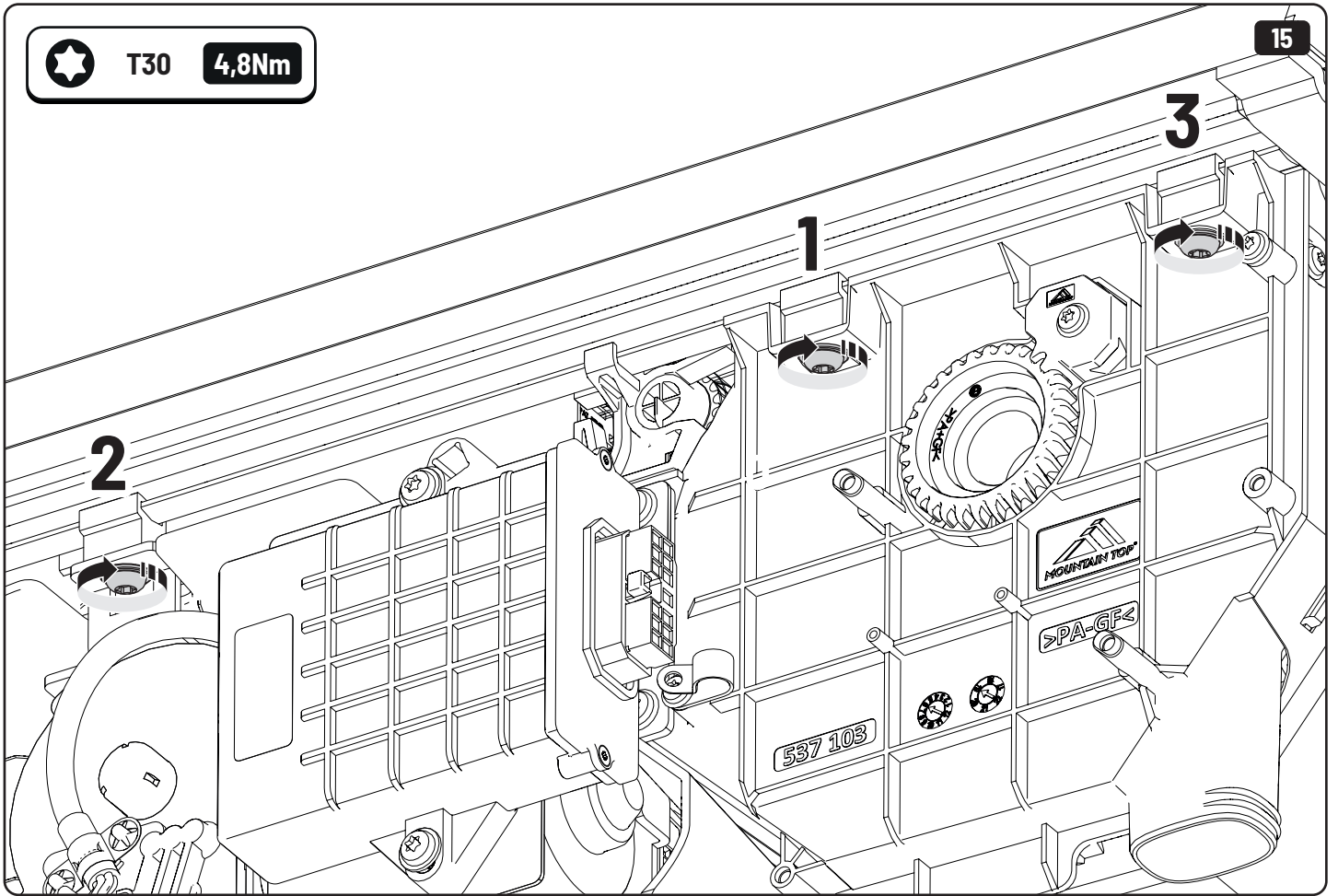




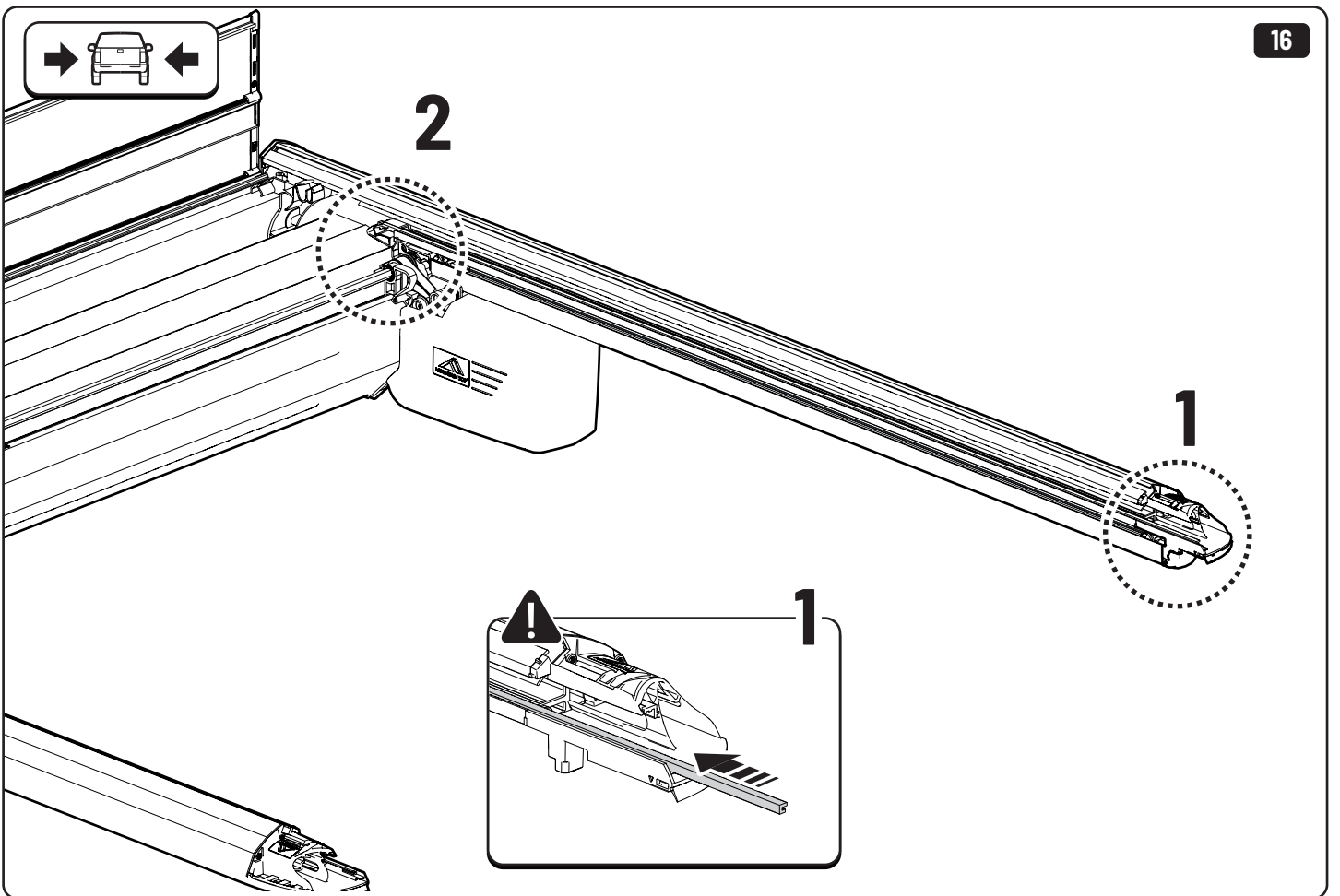
T30

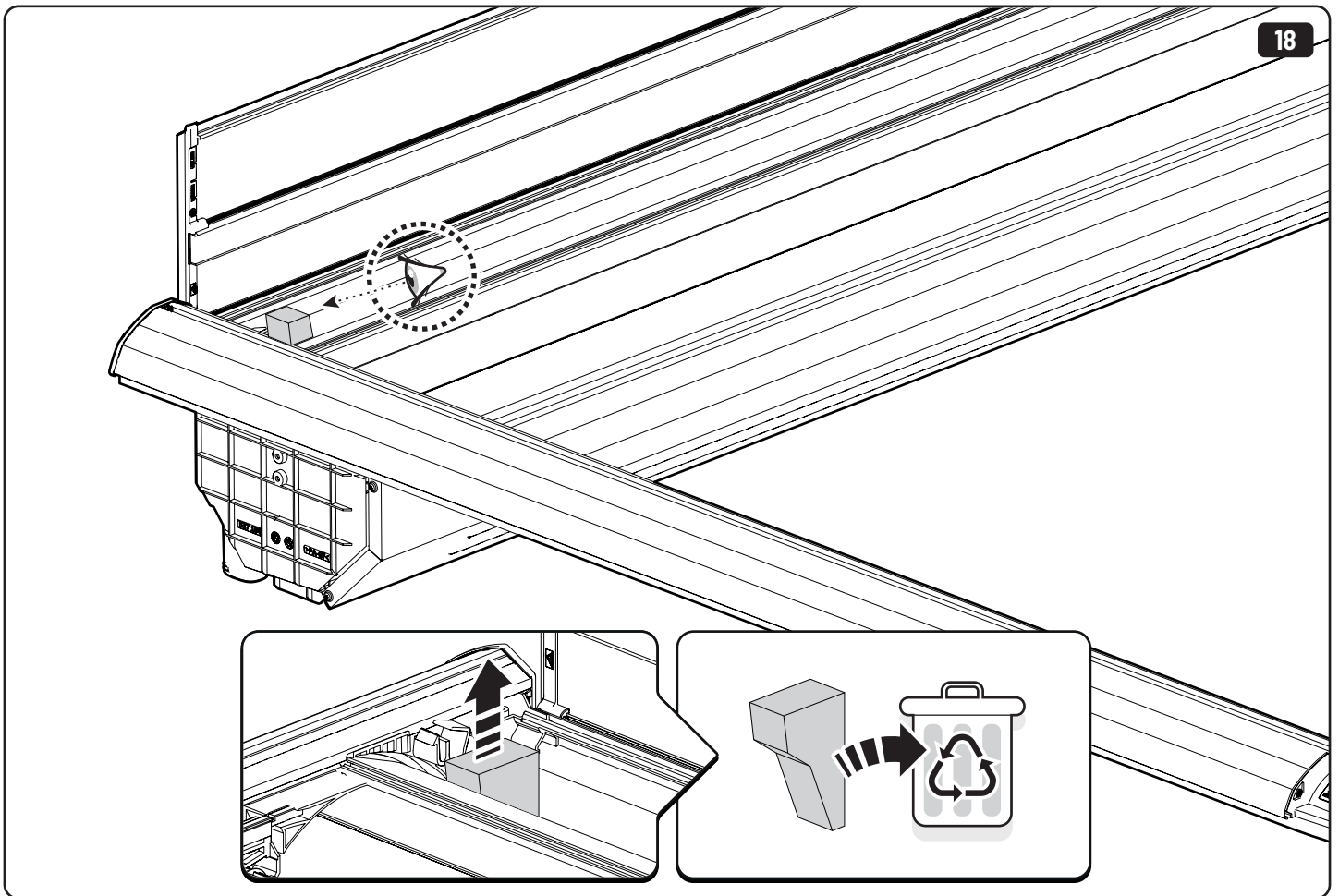
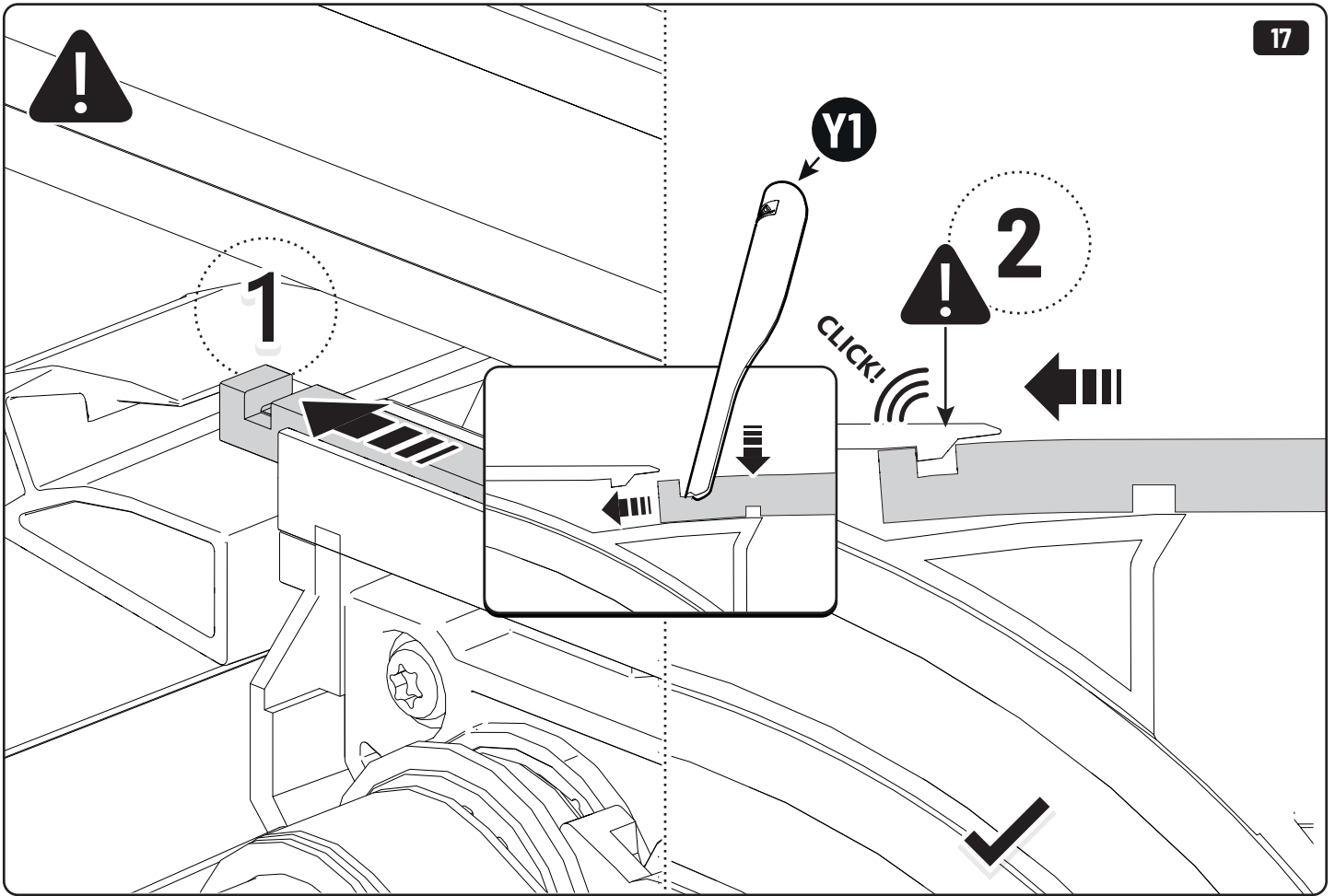
4,8Nm

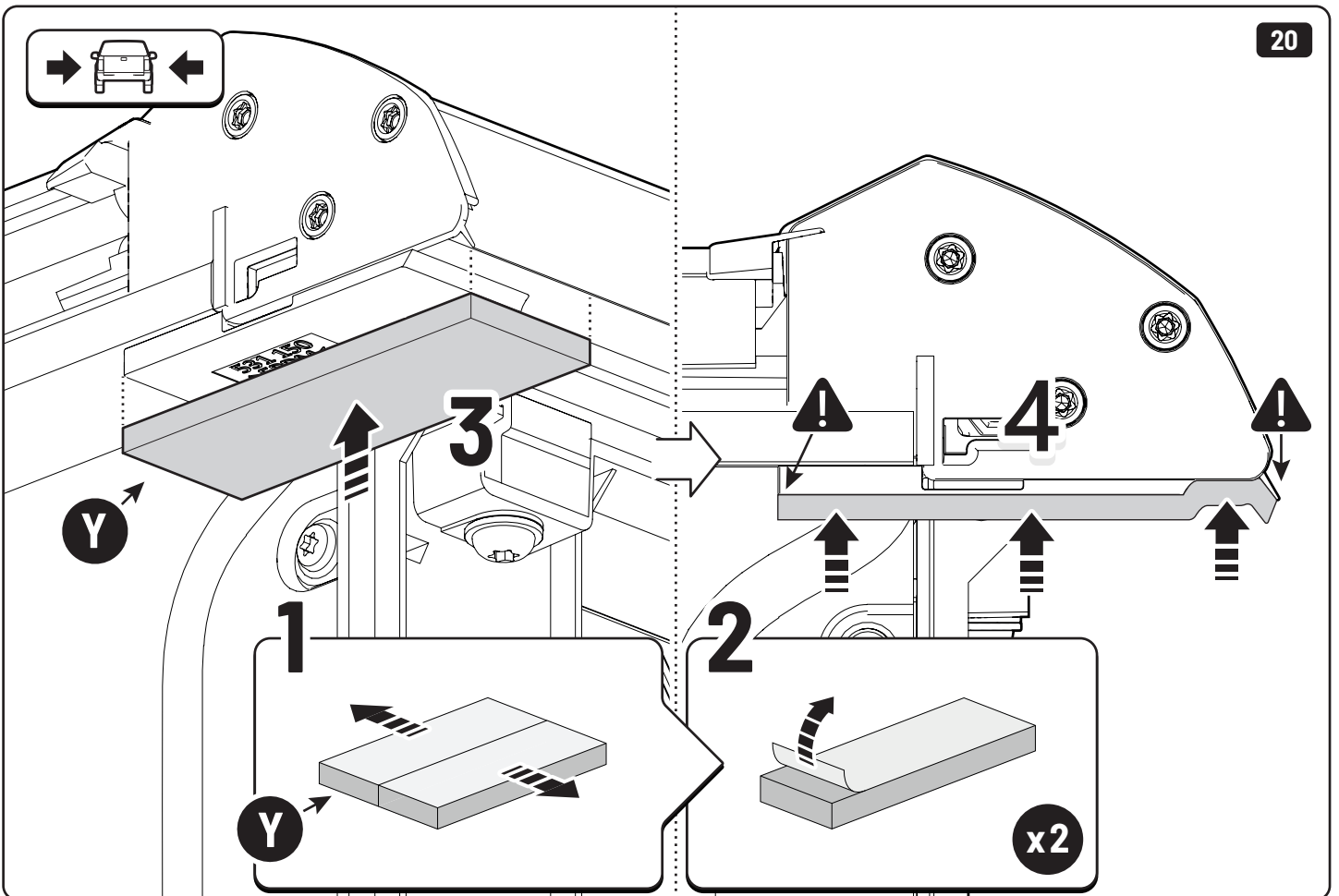
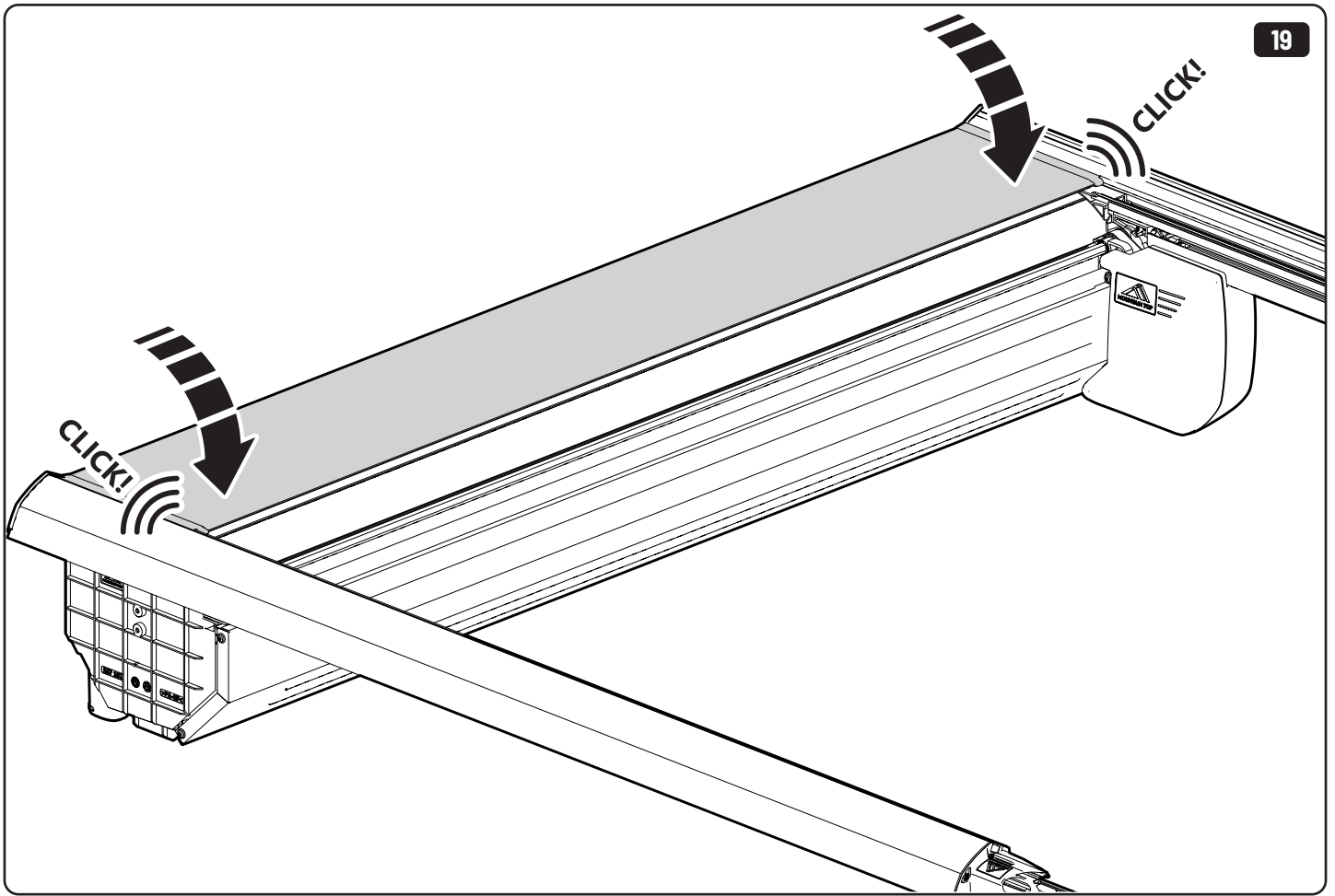
15

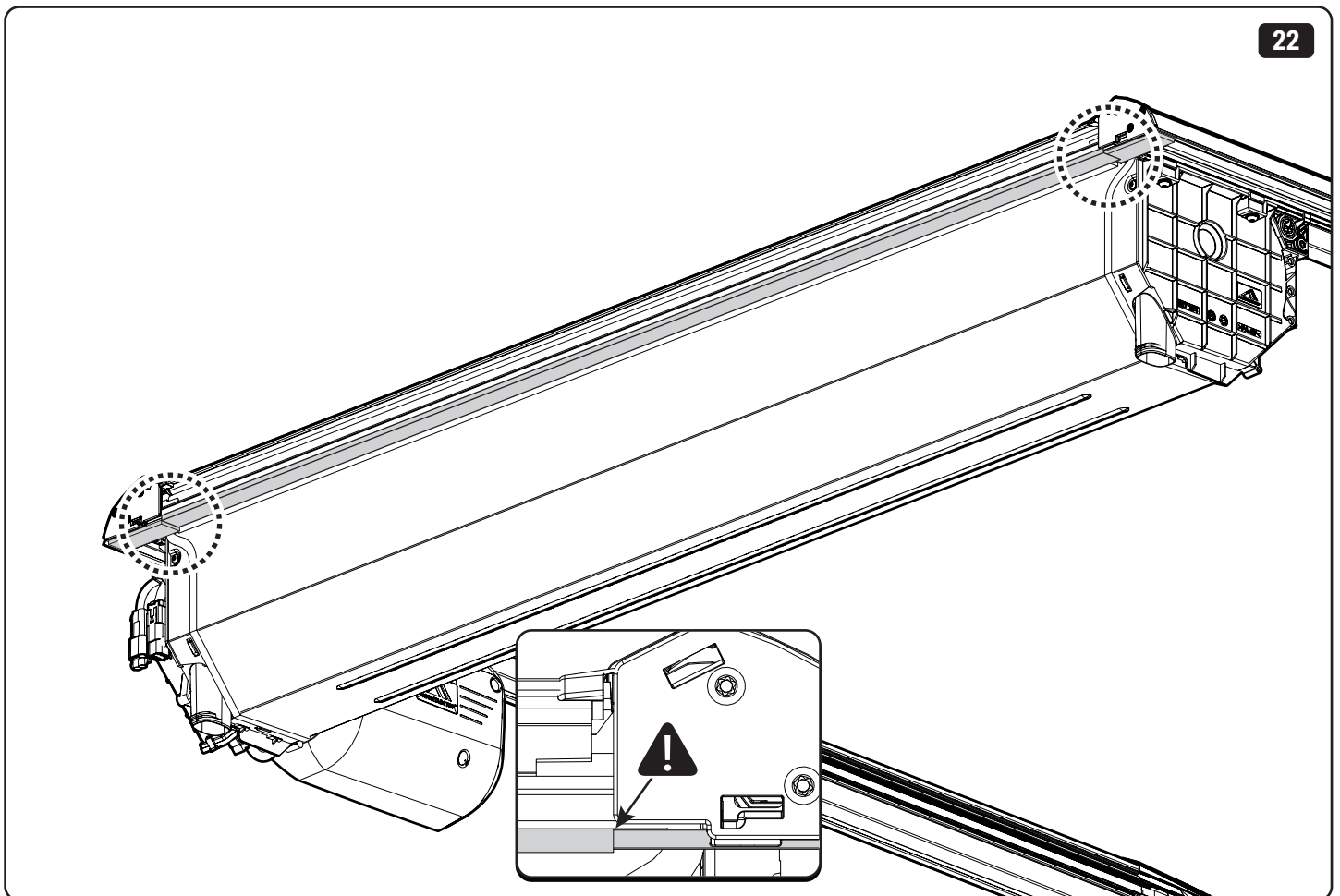
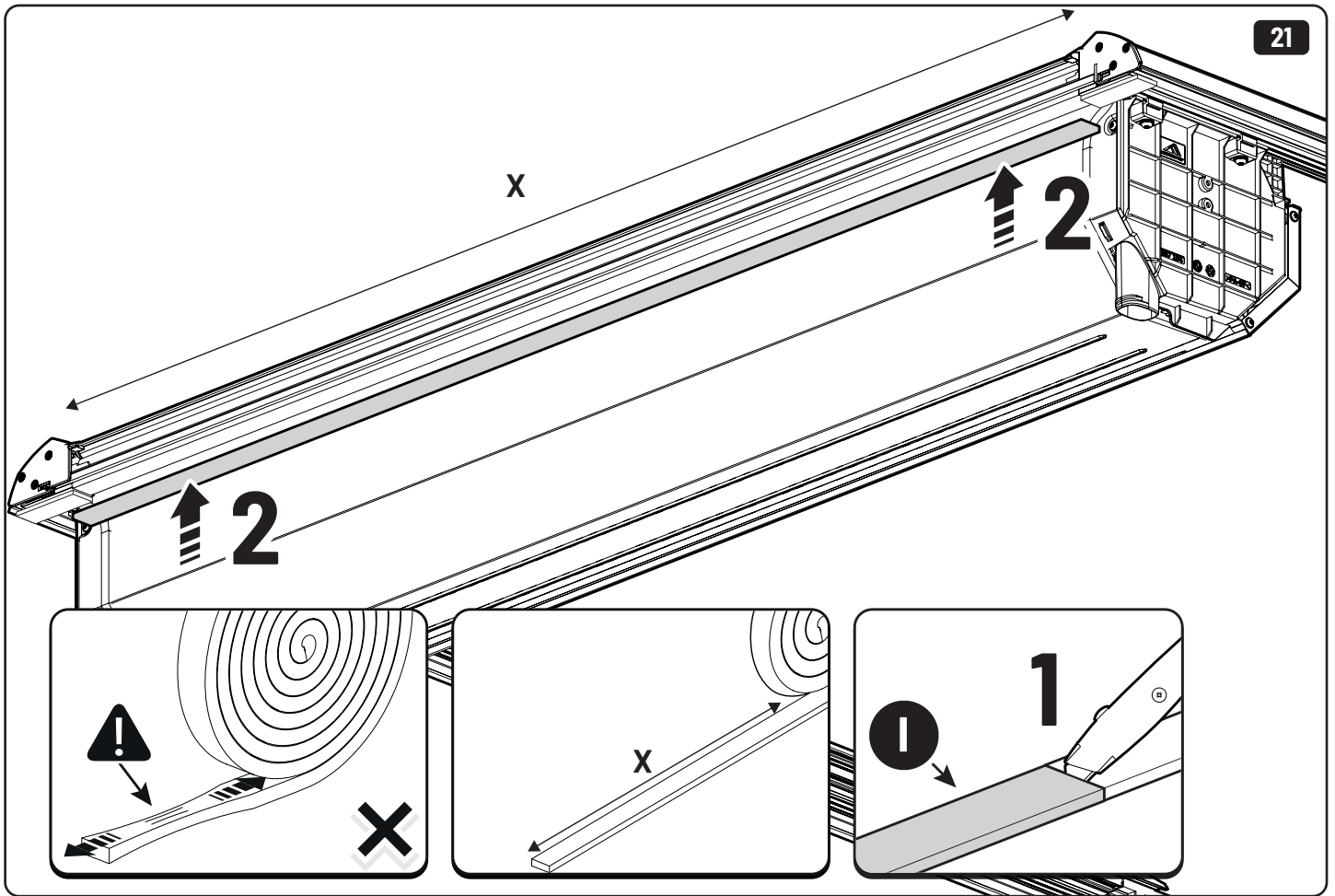


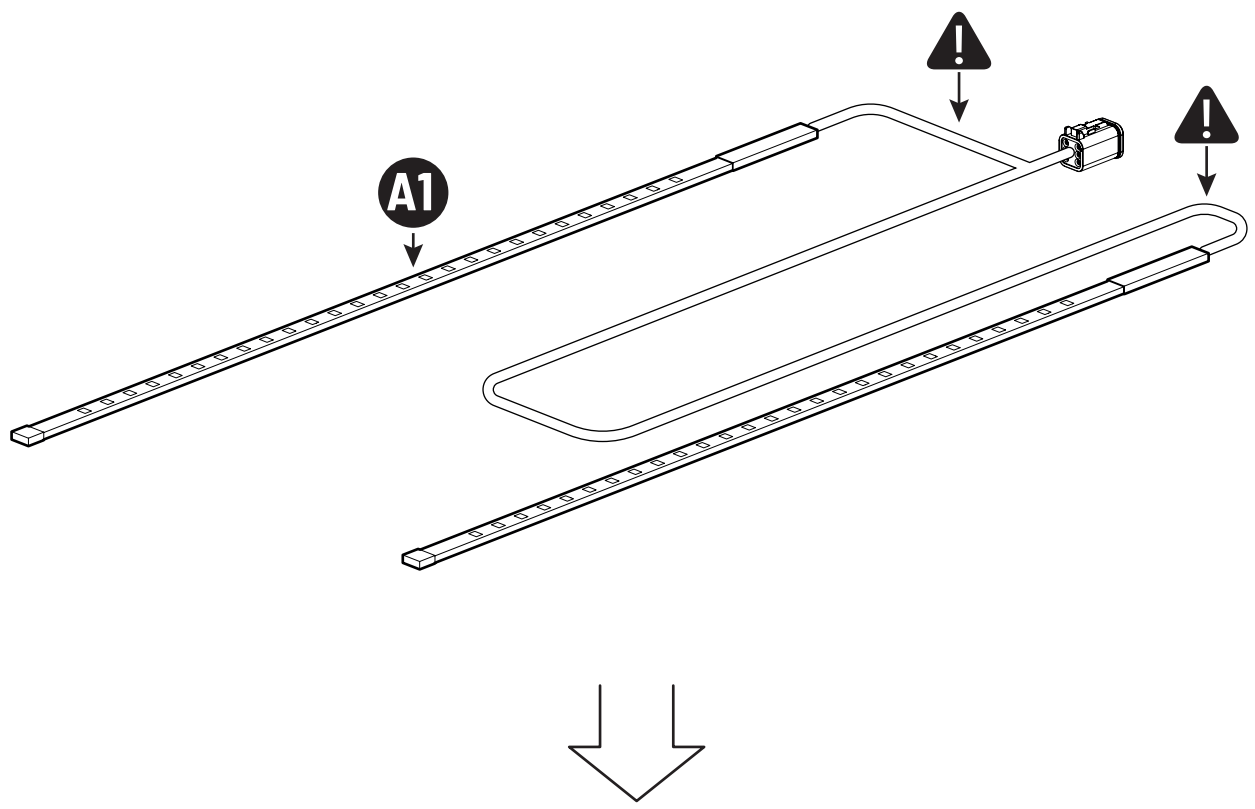
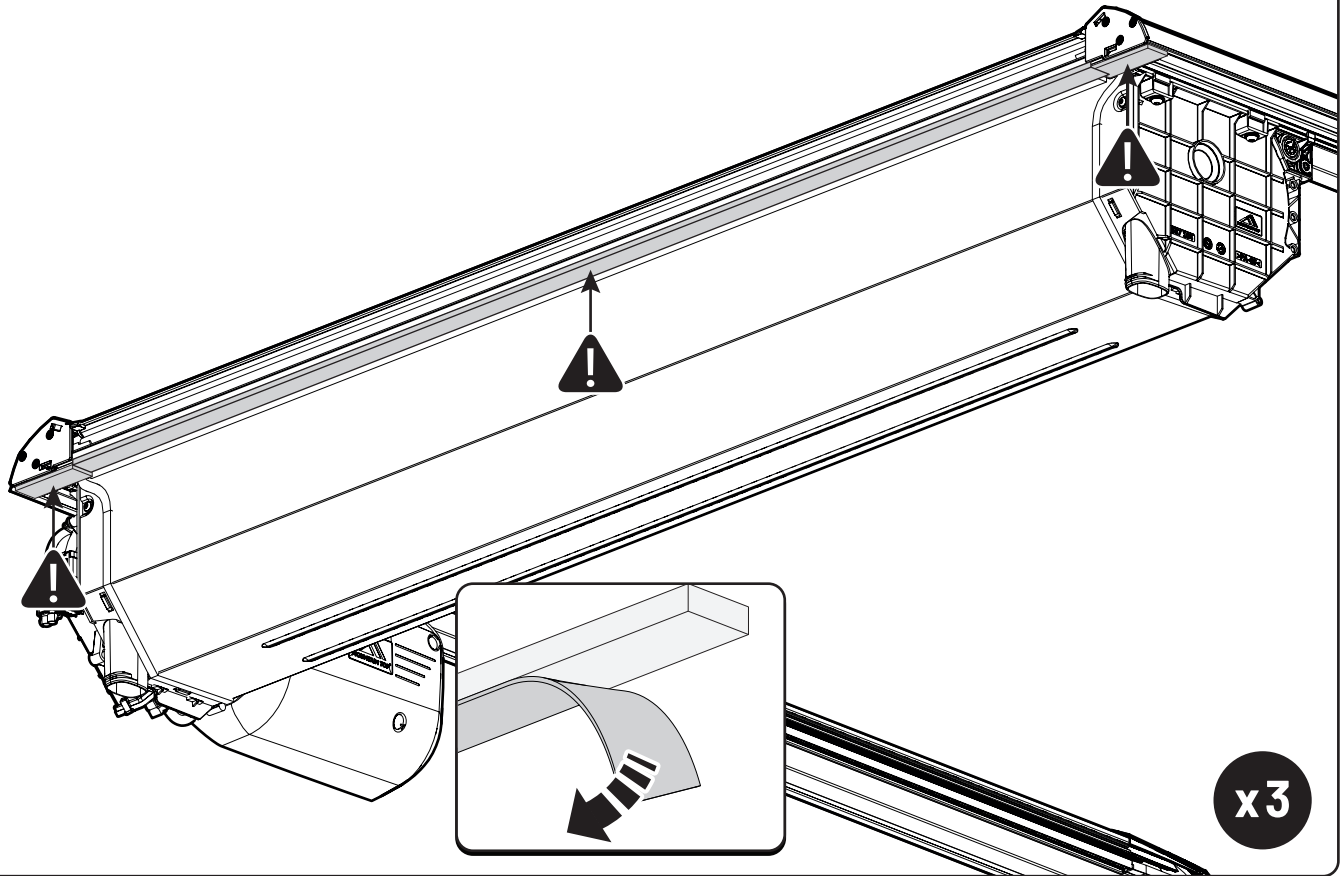
16

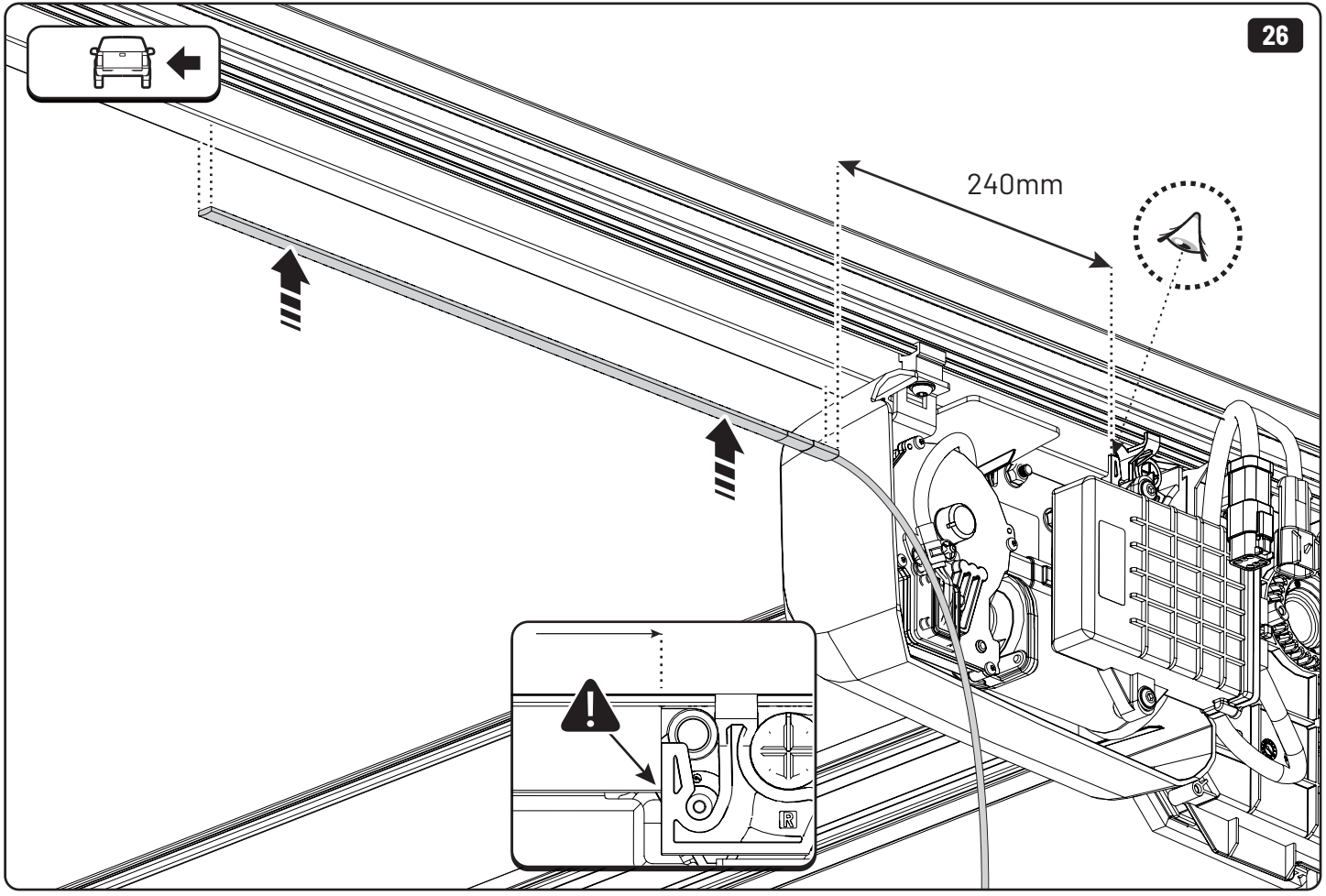
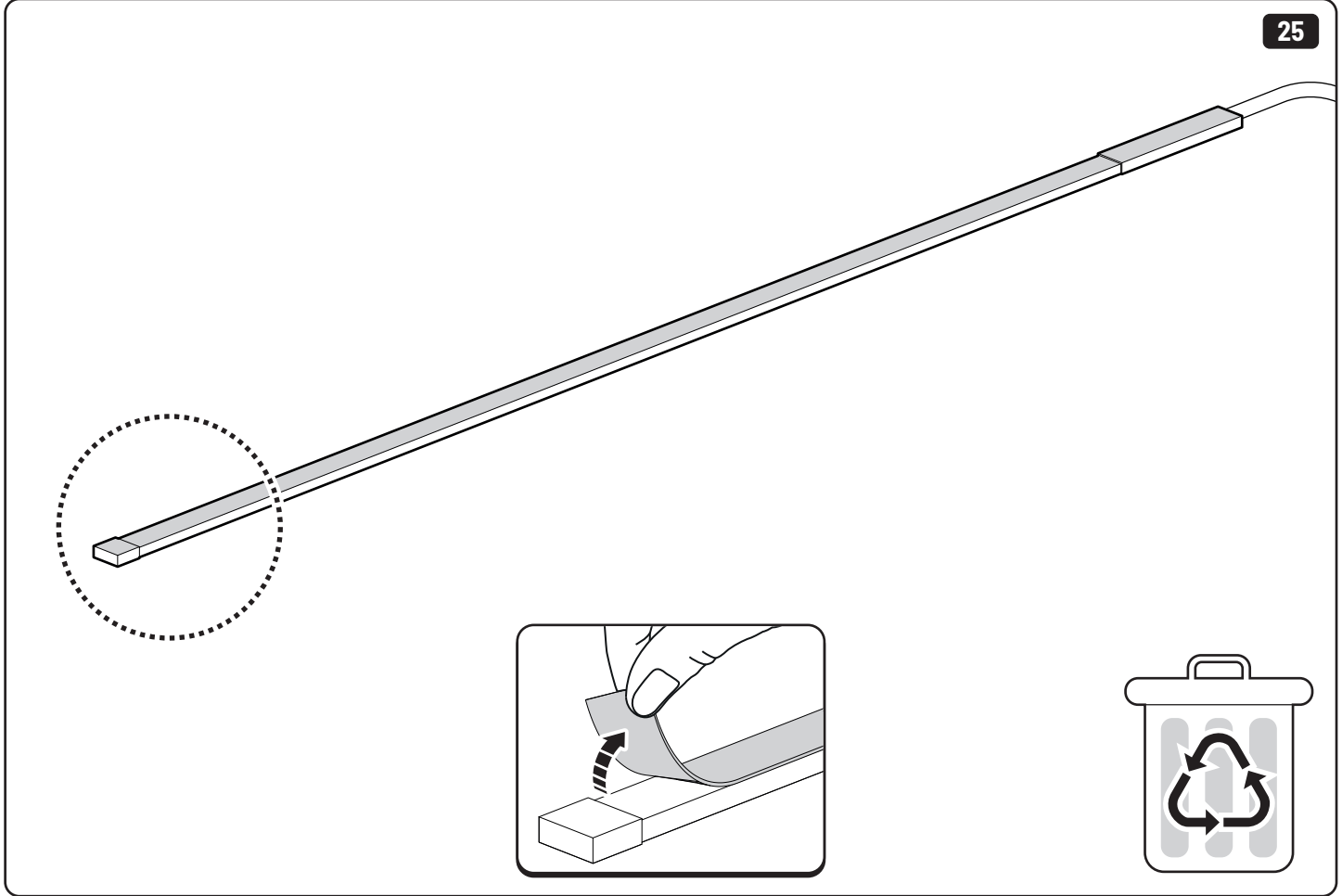


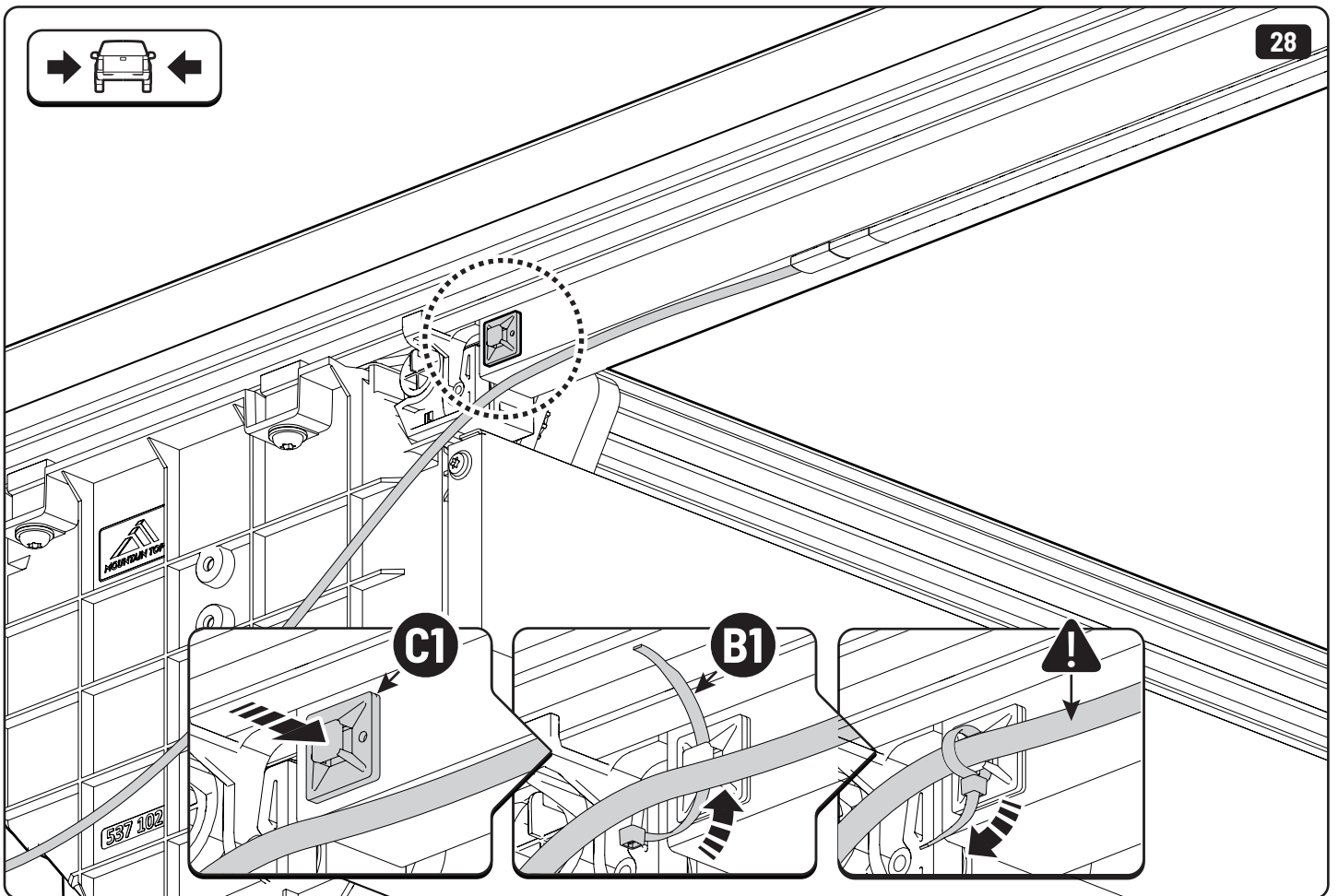
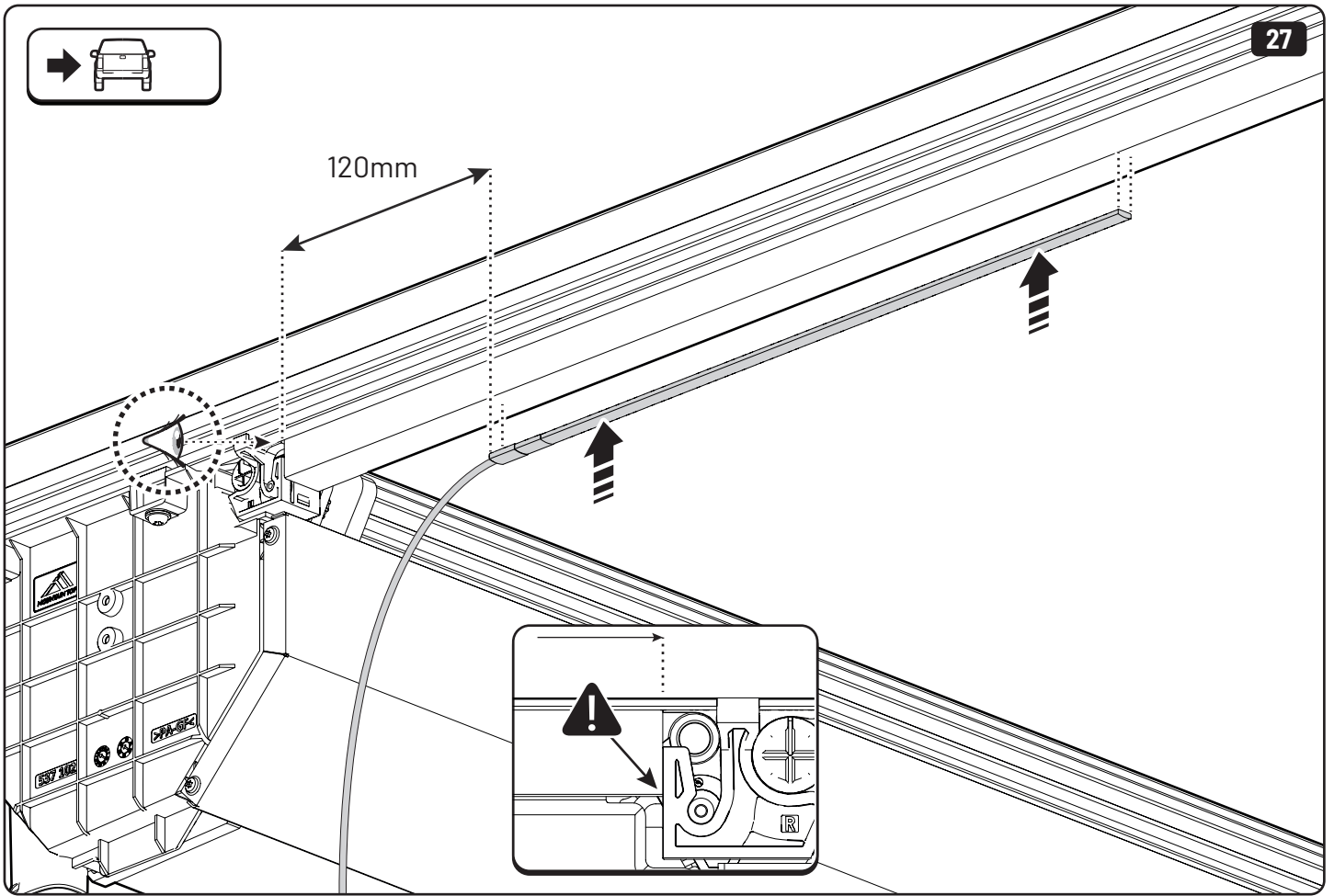


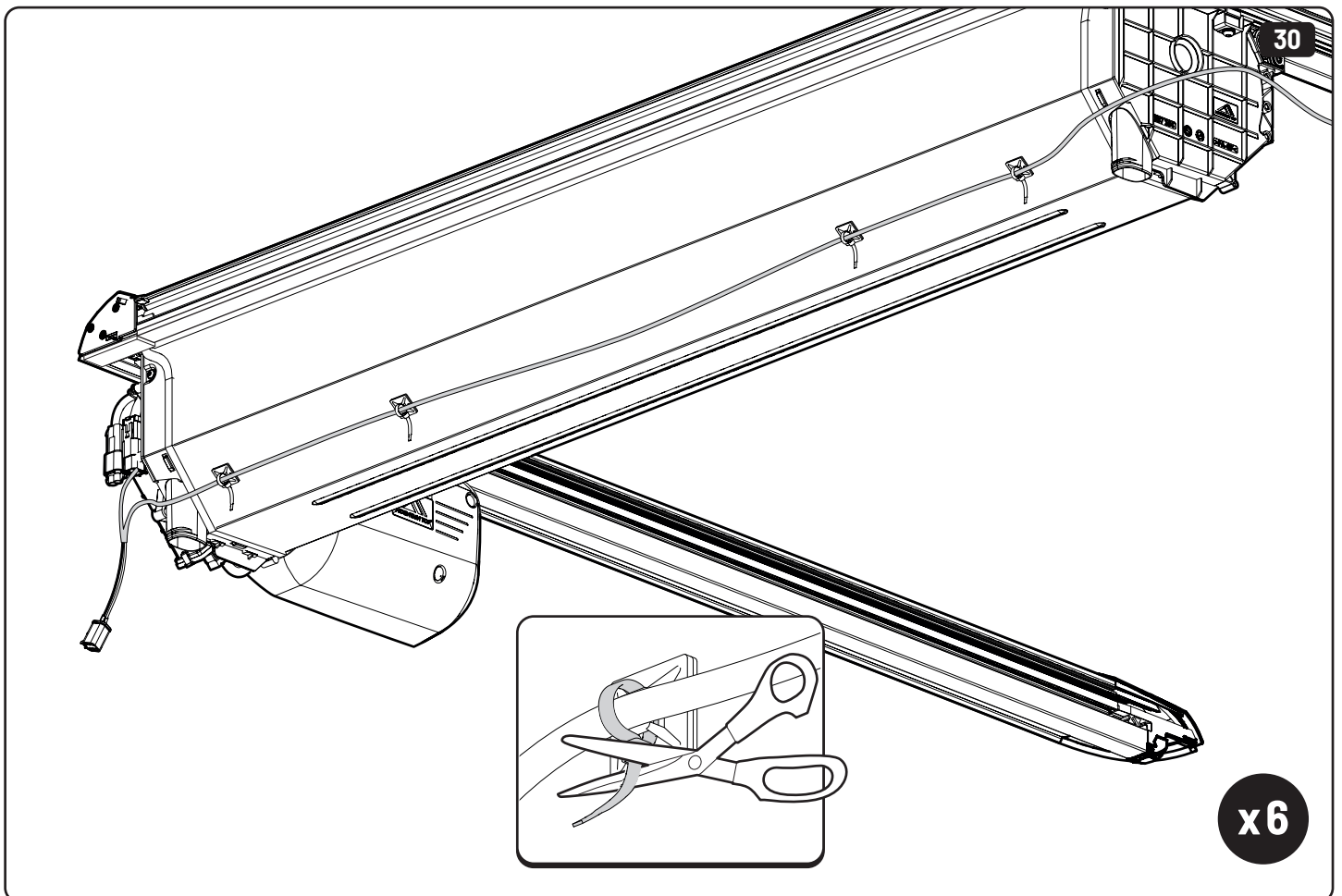
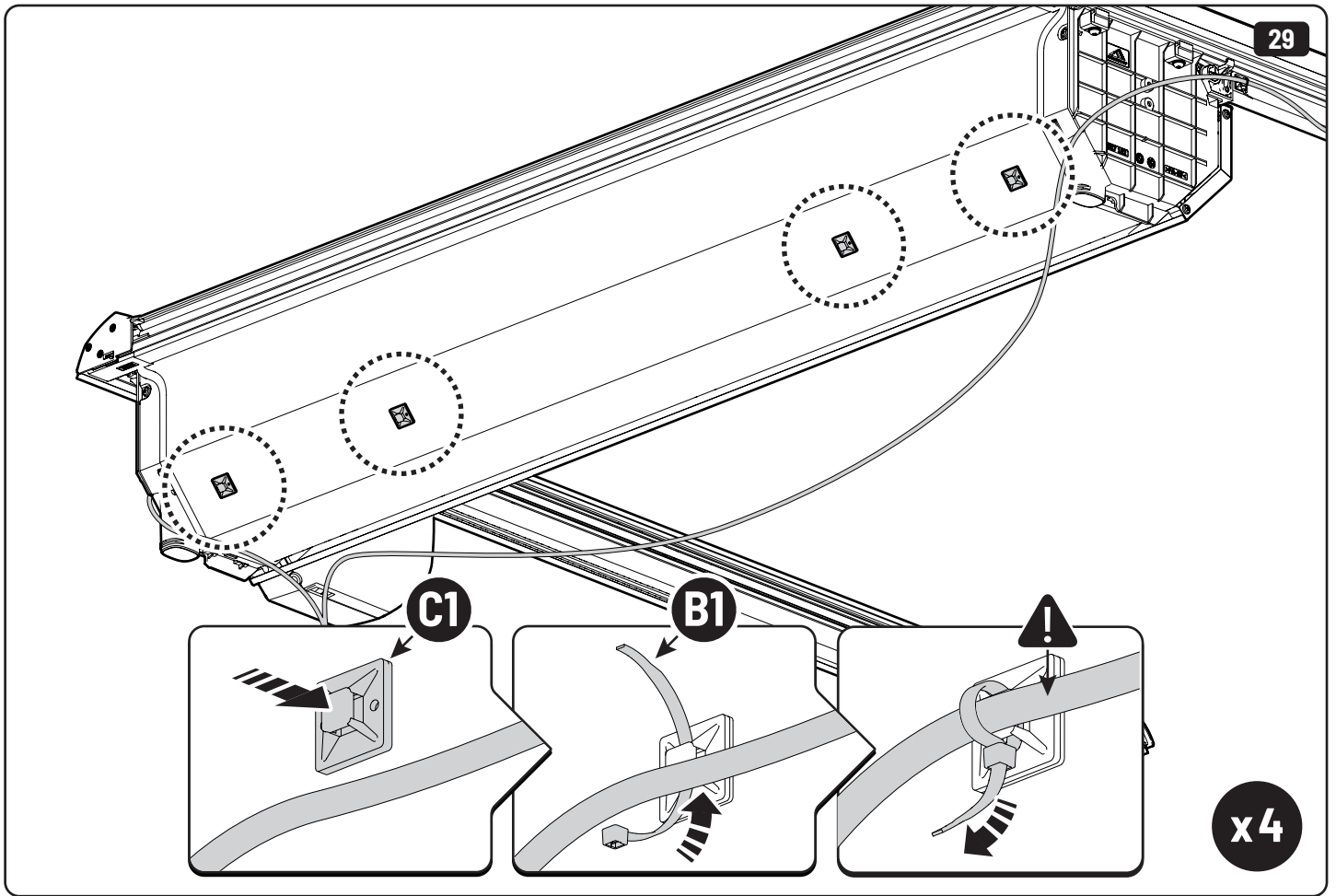


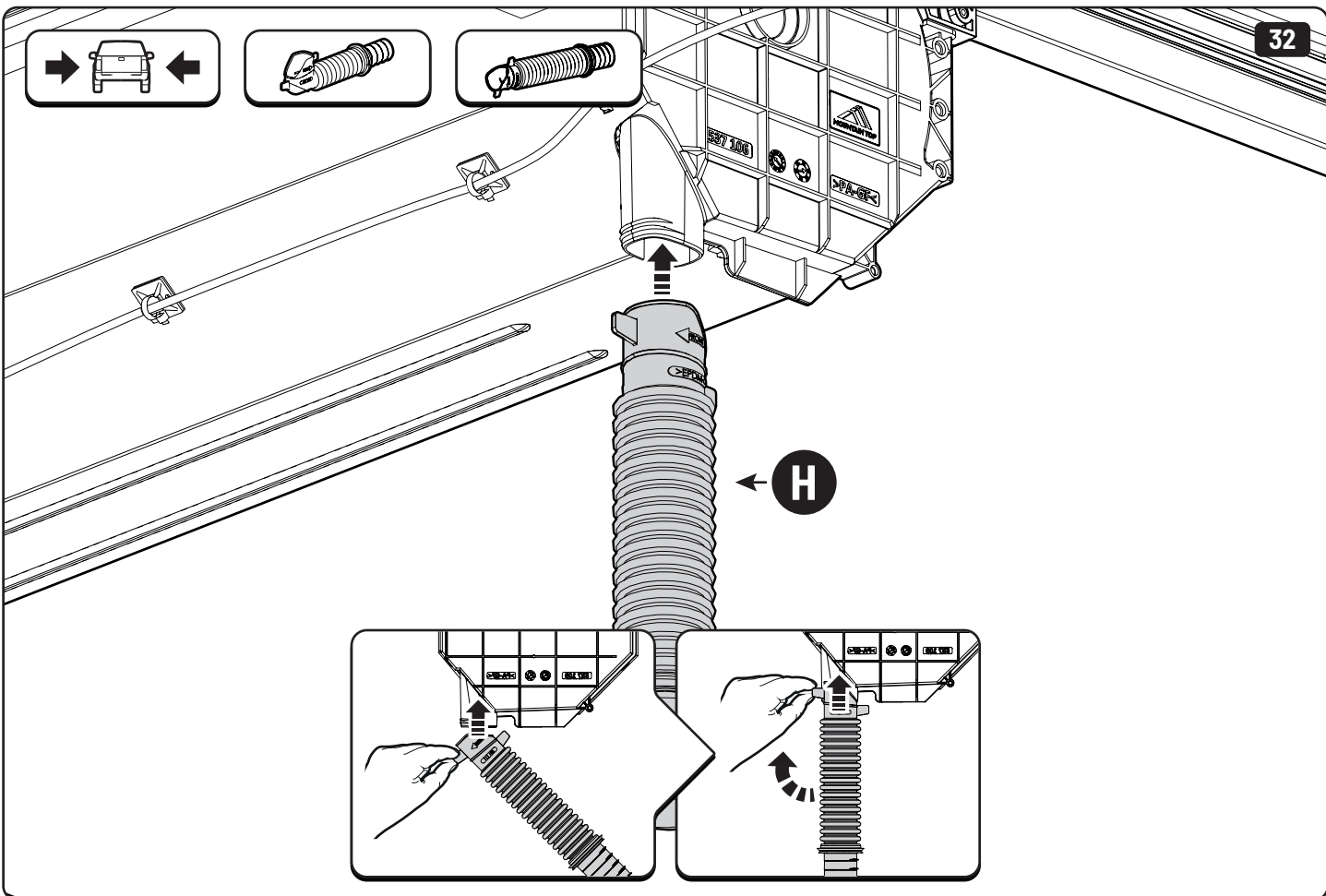
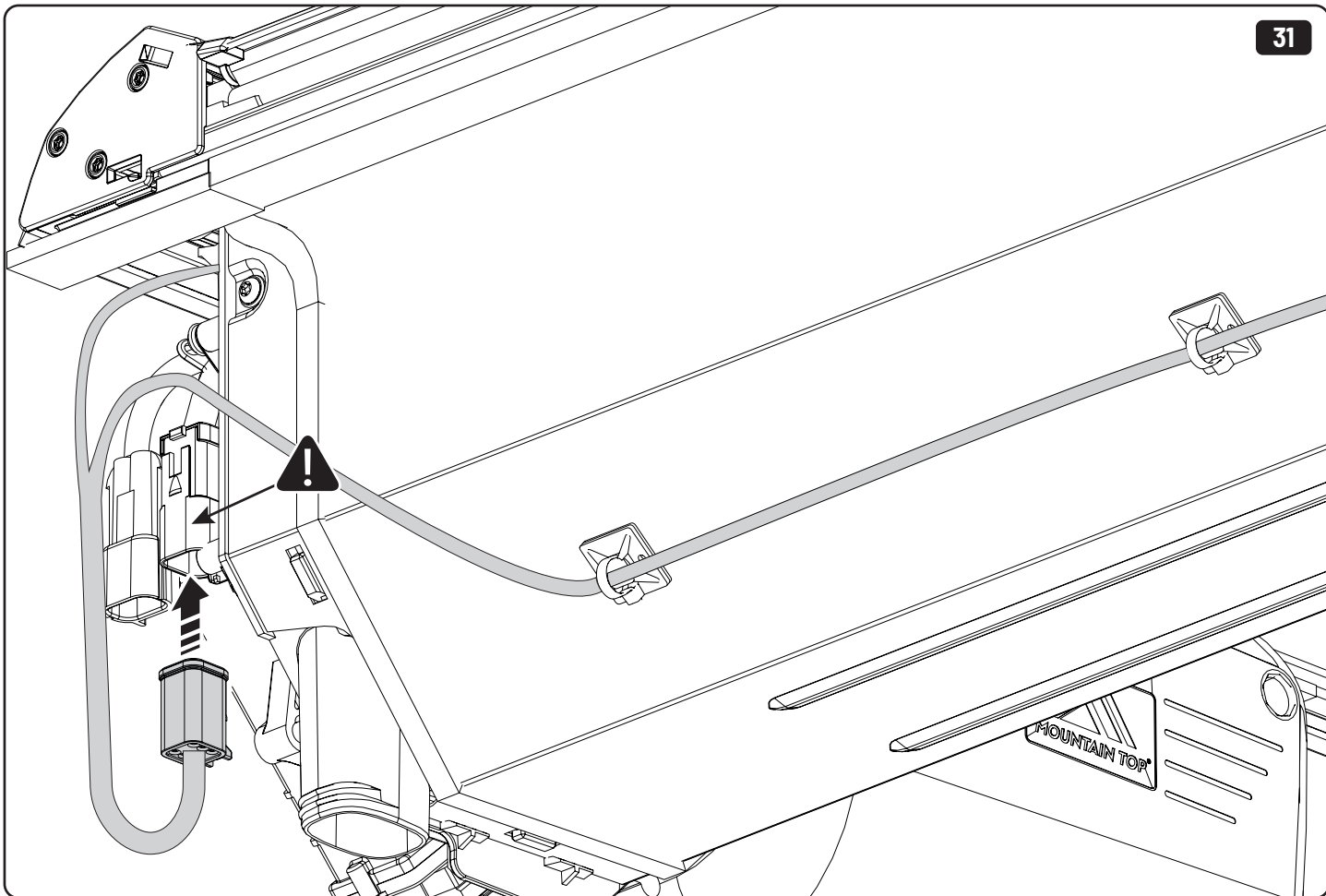












Isuzu 10+11

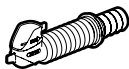
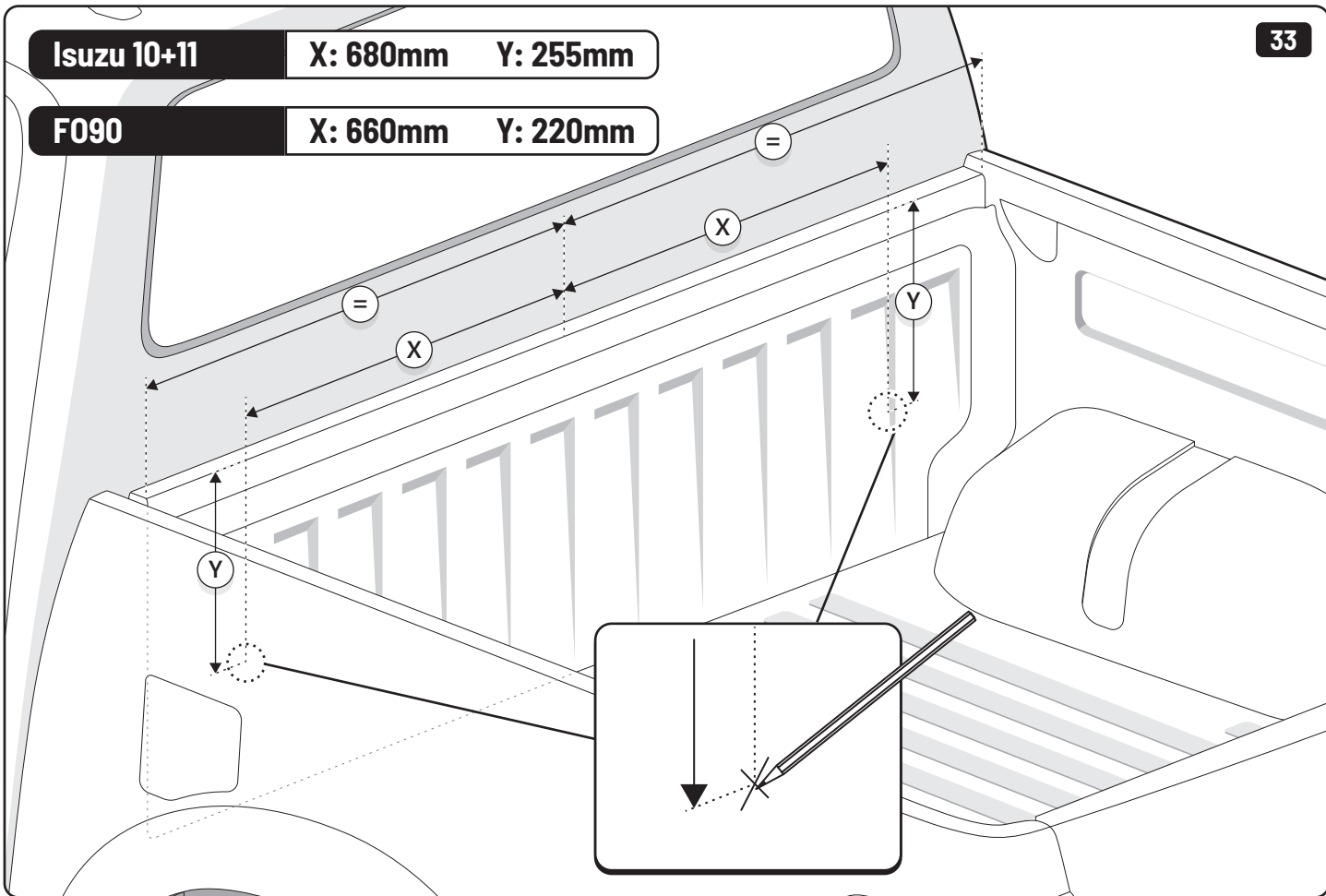
X: 680mm

Y: 255mm

F090

X: 660mm

Y: 220mm



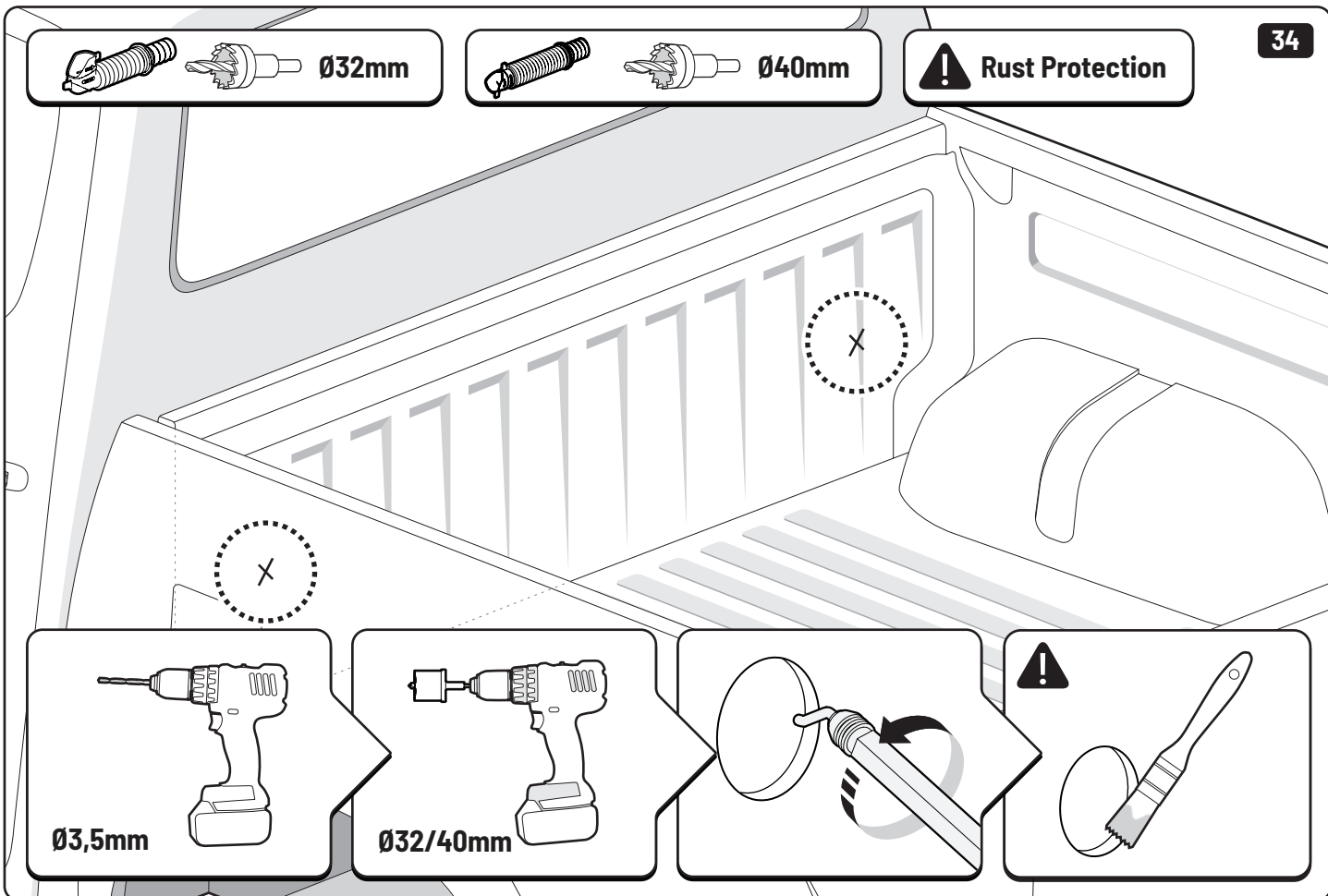
Ø32mm



Ø40mm

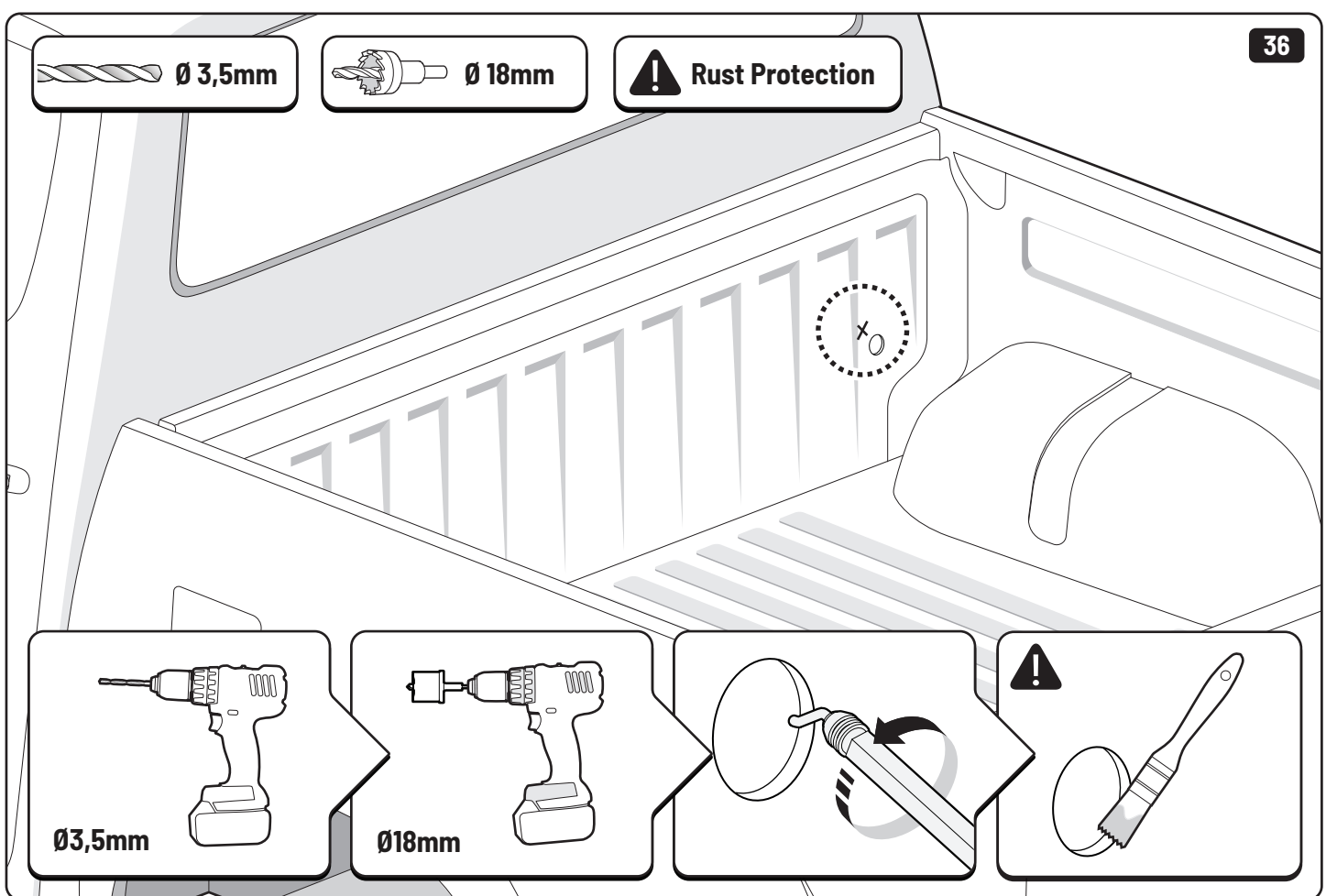
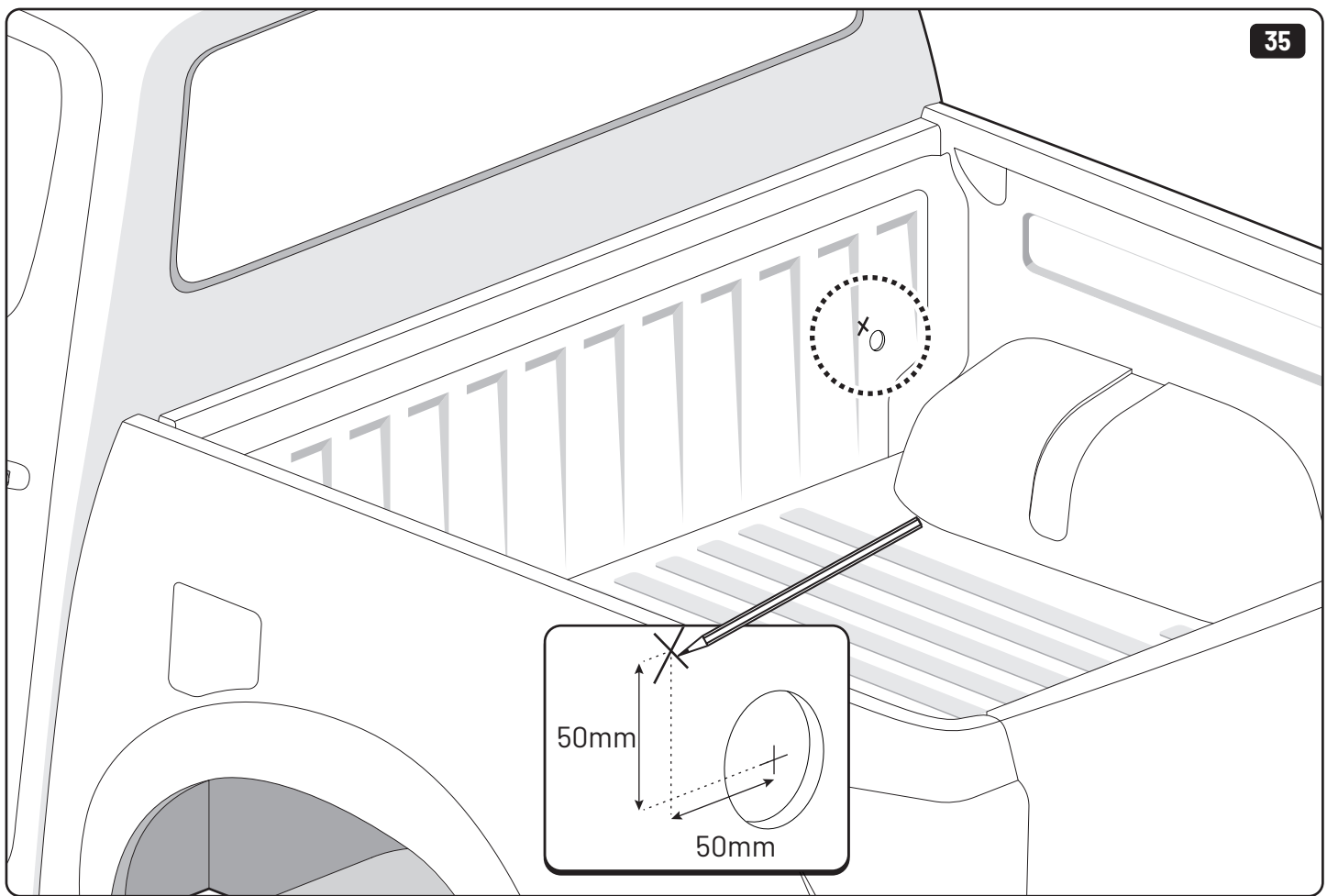


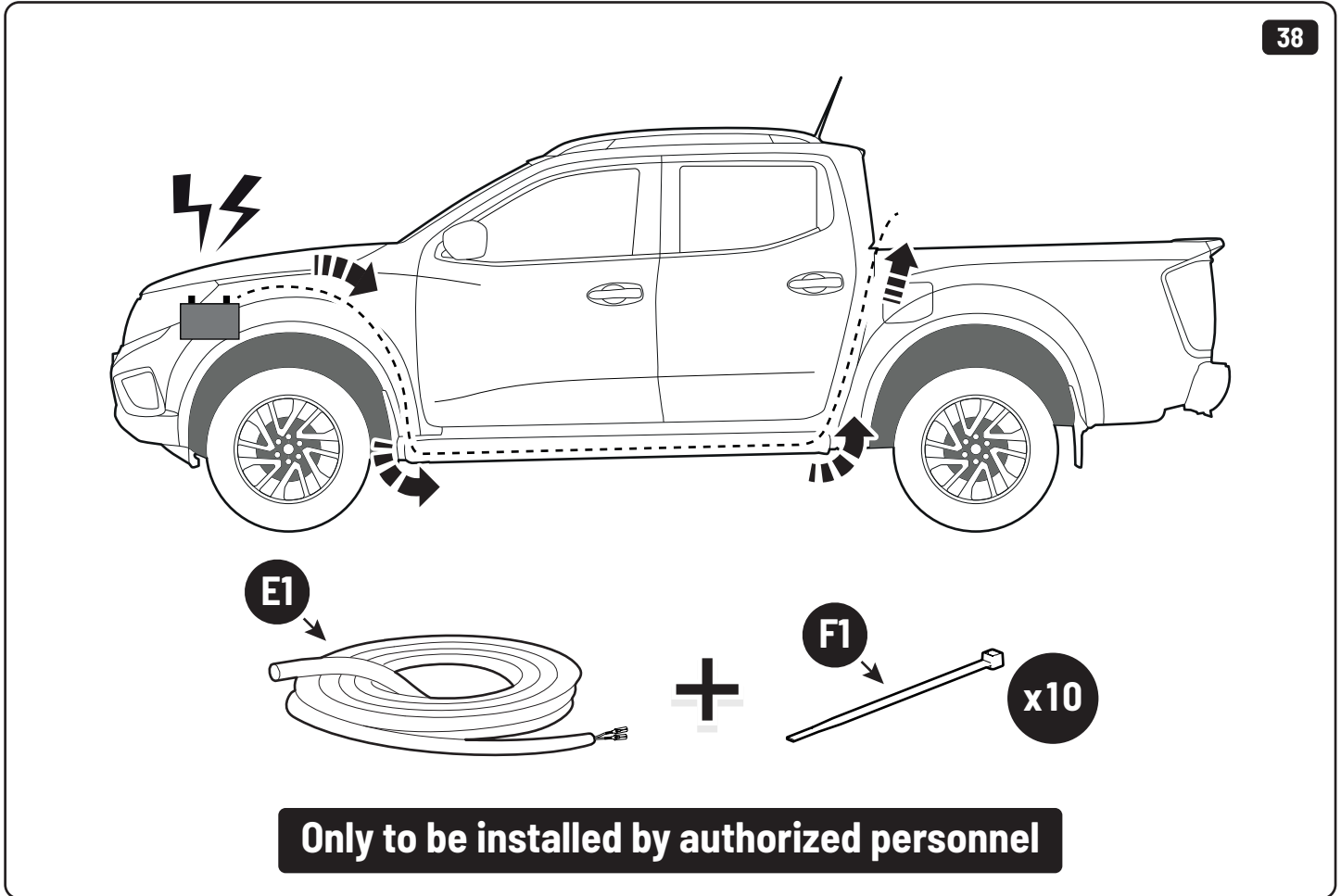
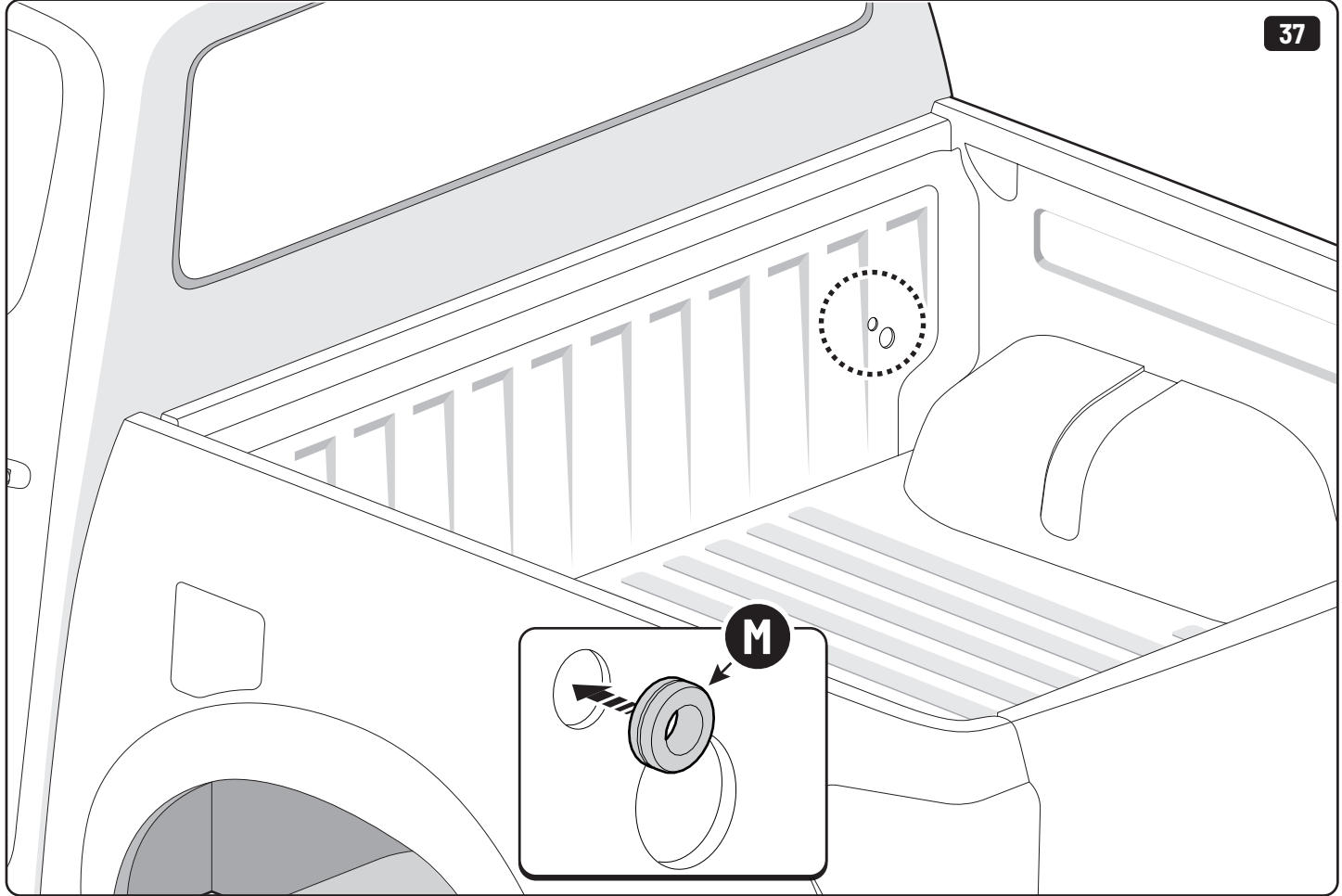
Rust Protection

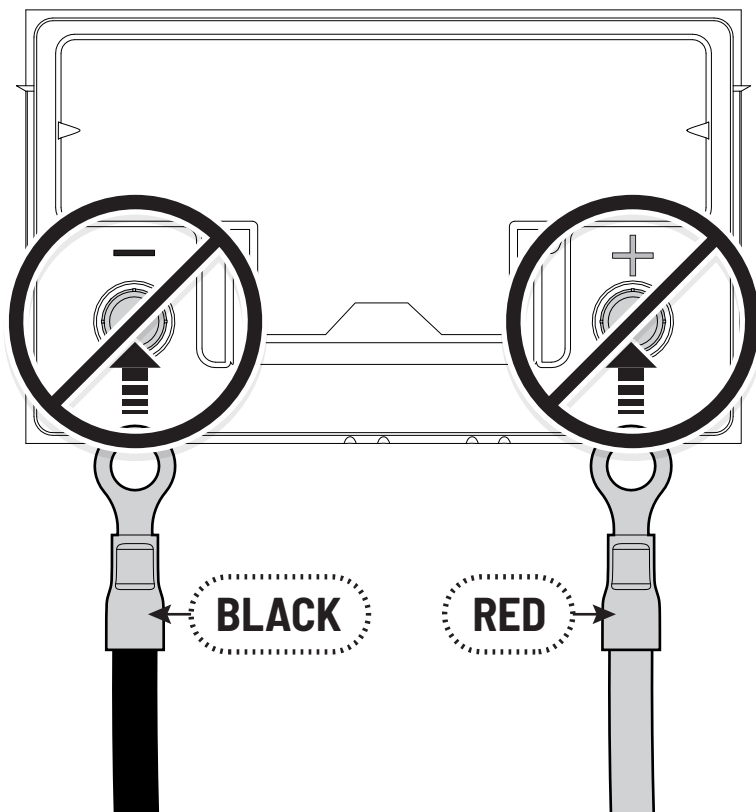
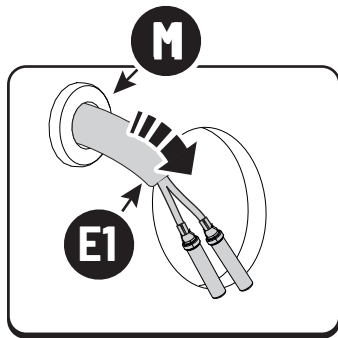
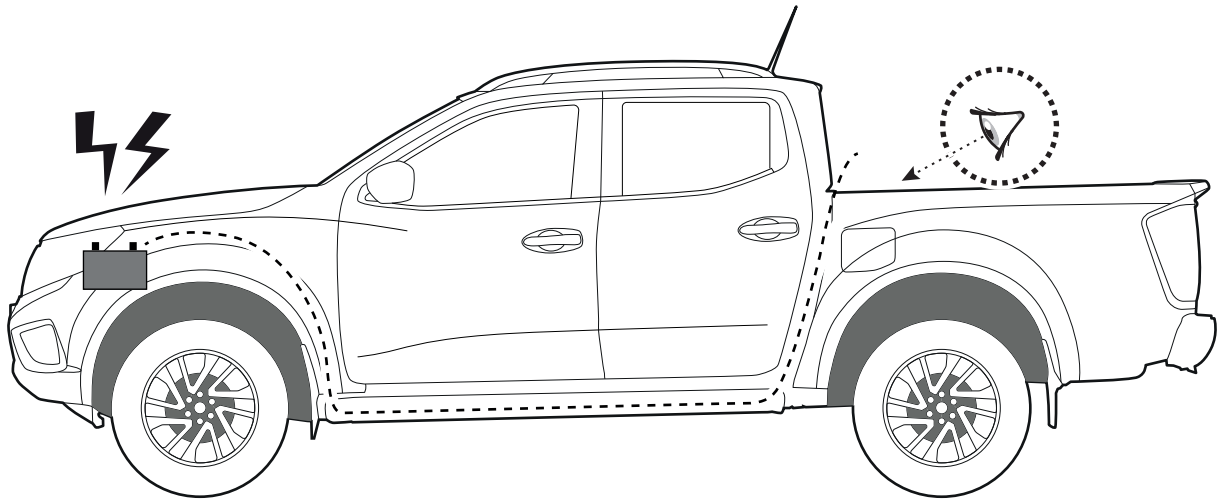


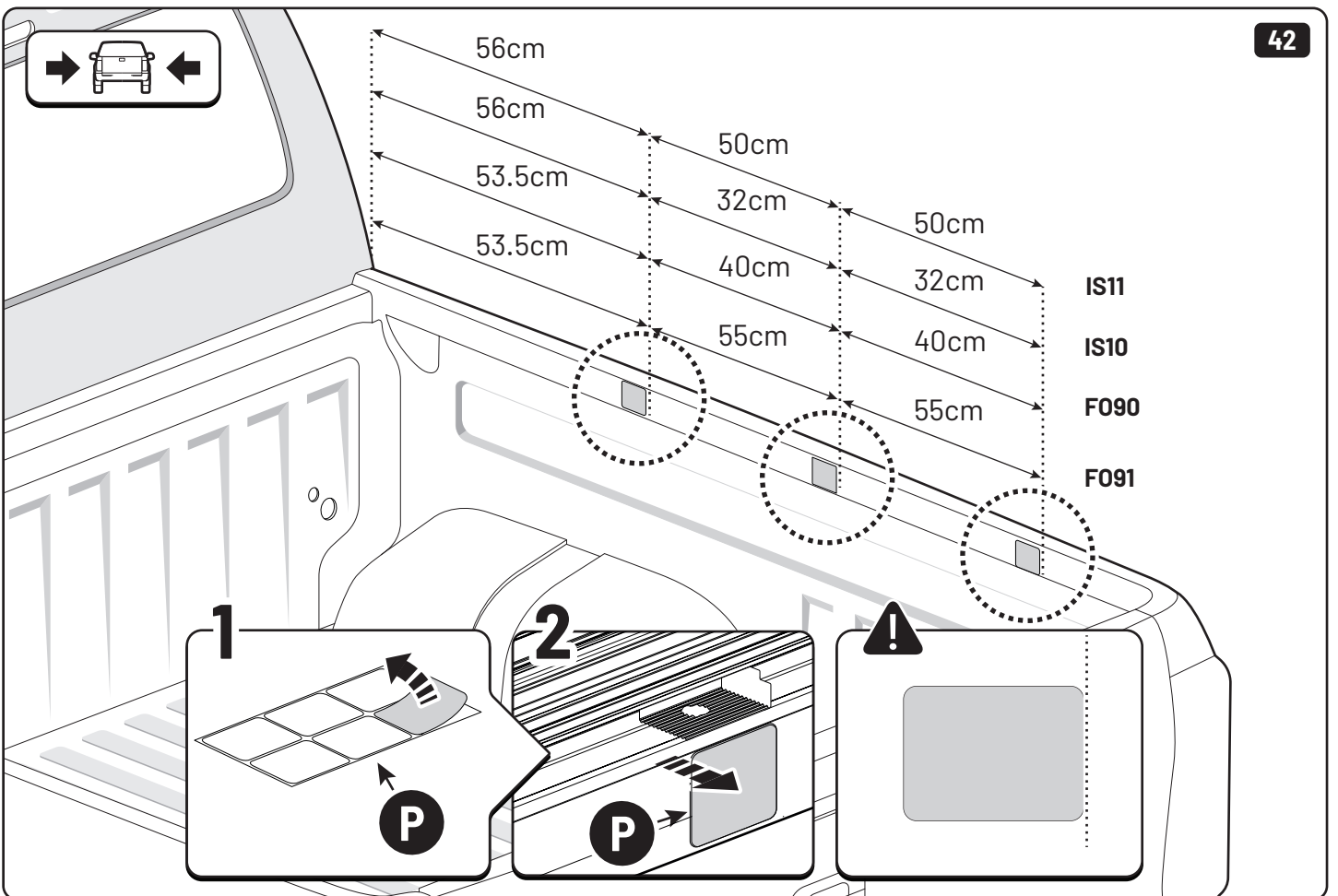
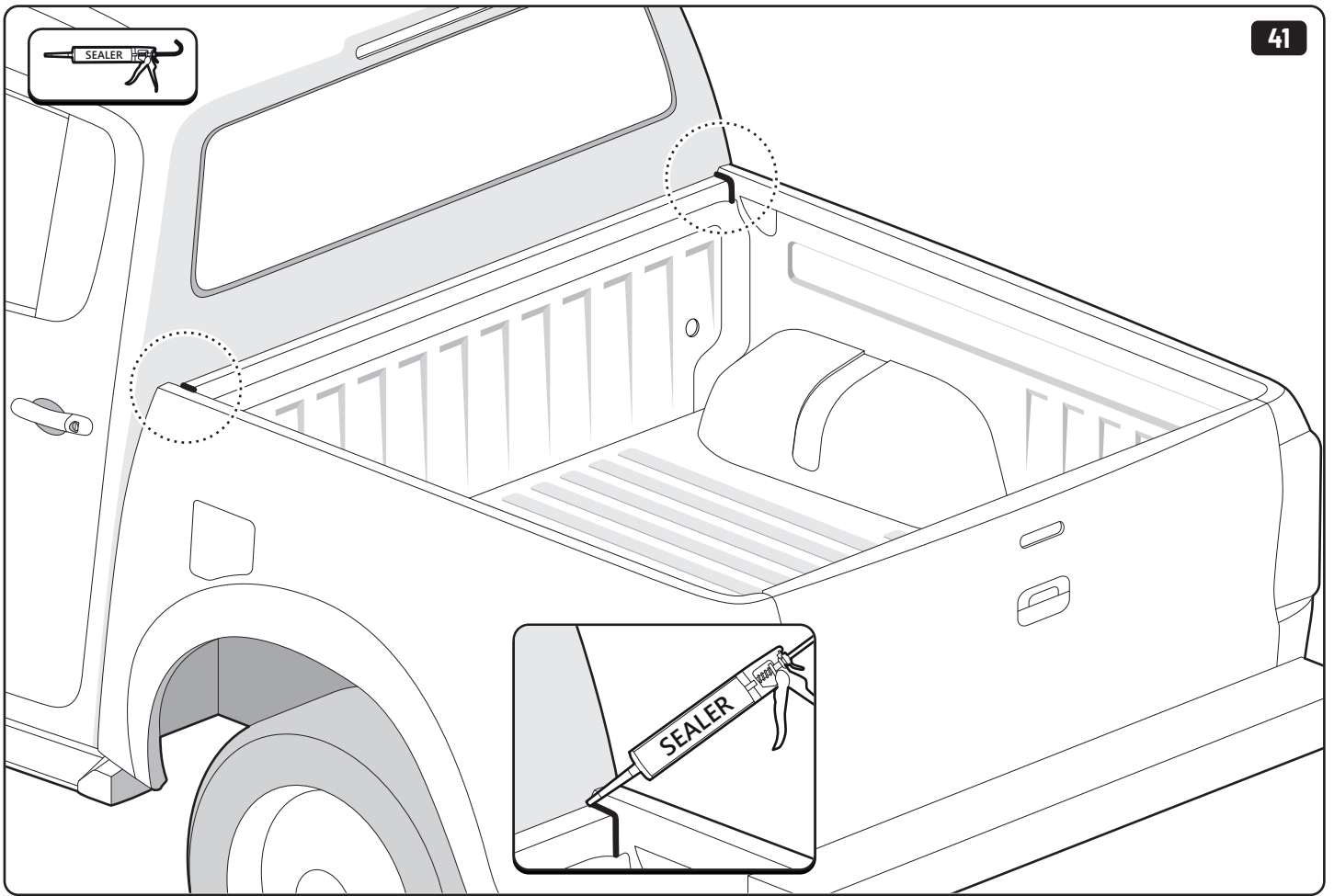
Ø3,5mm

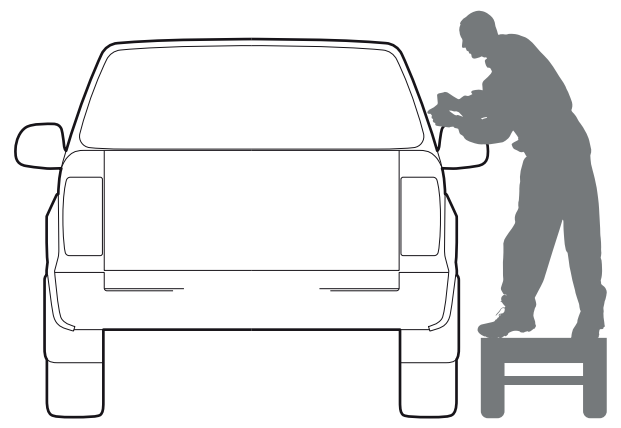
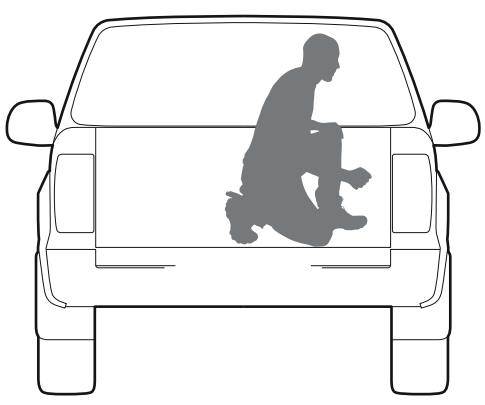
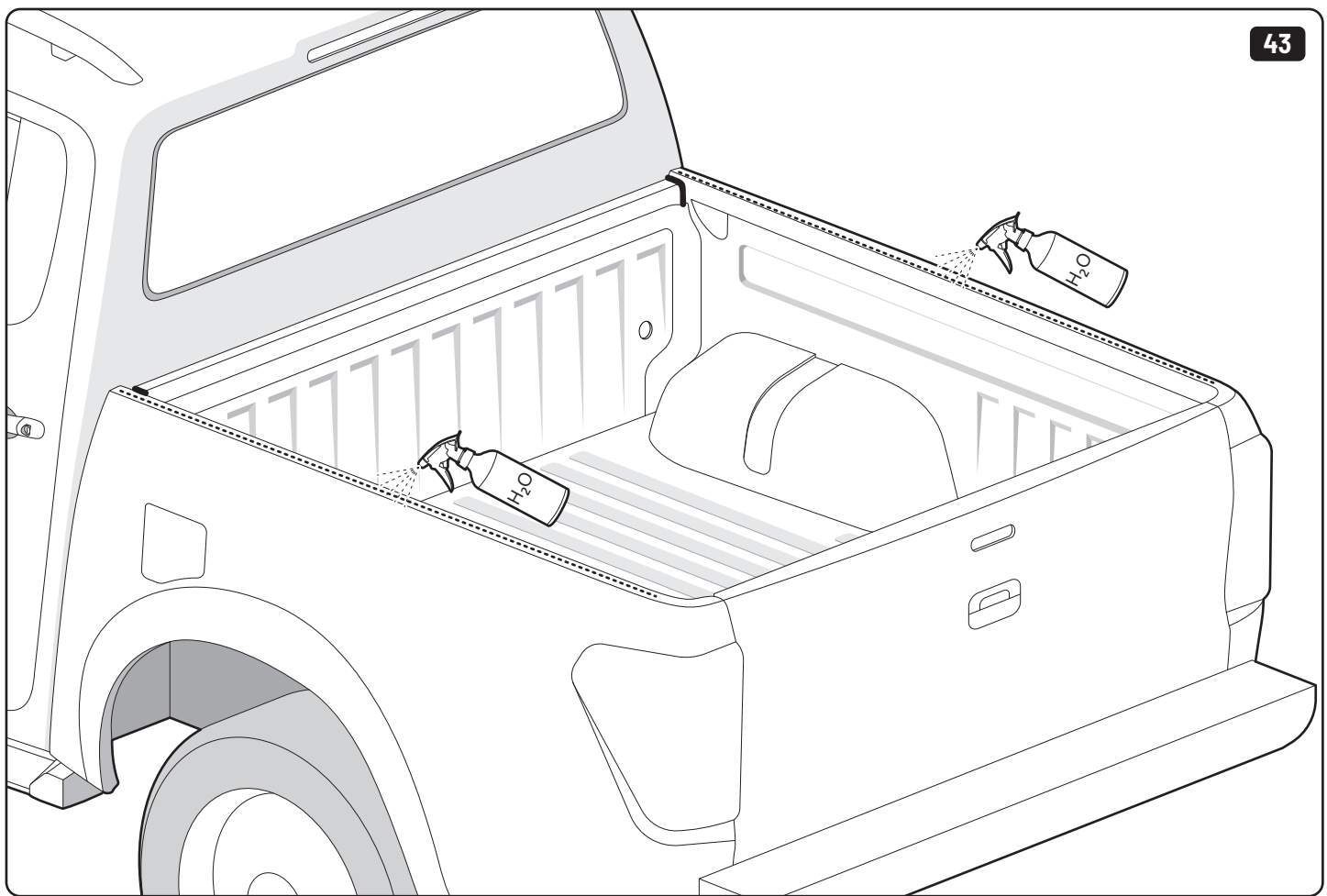
Ø32/40mm

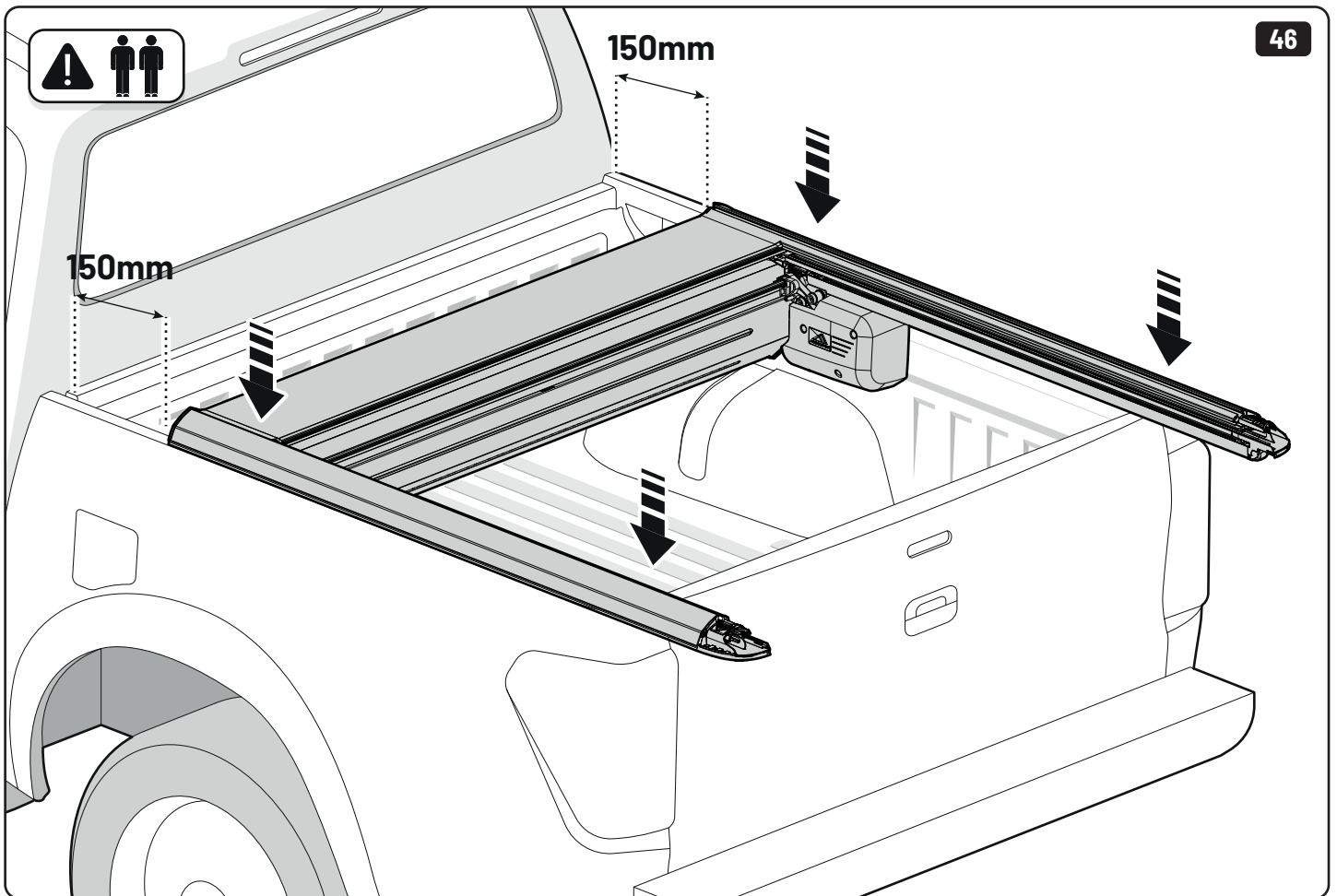
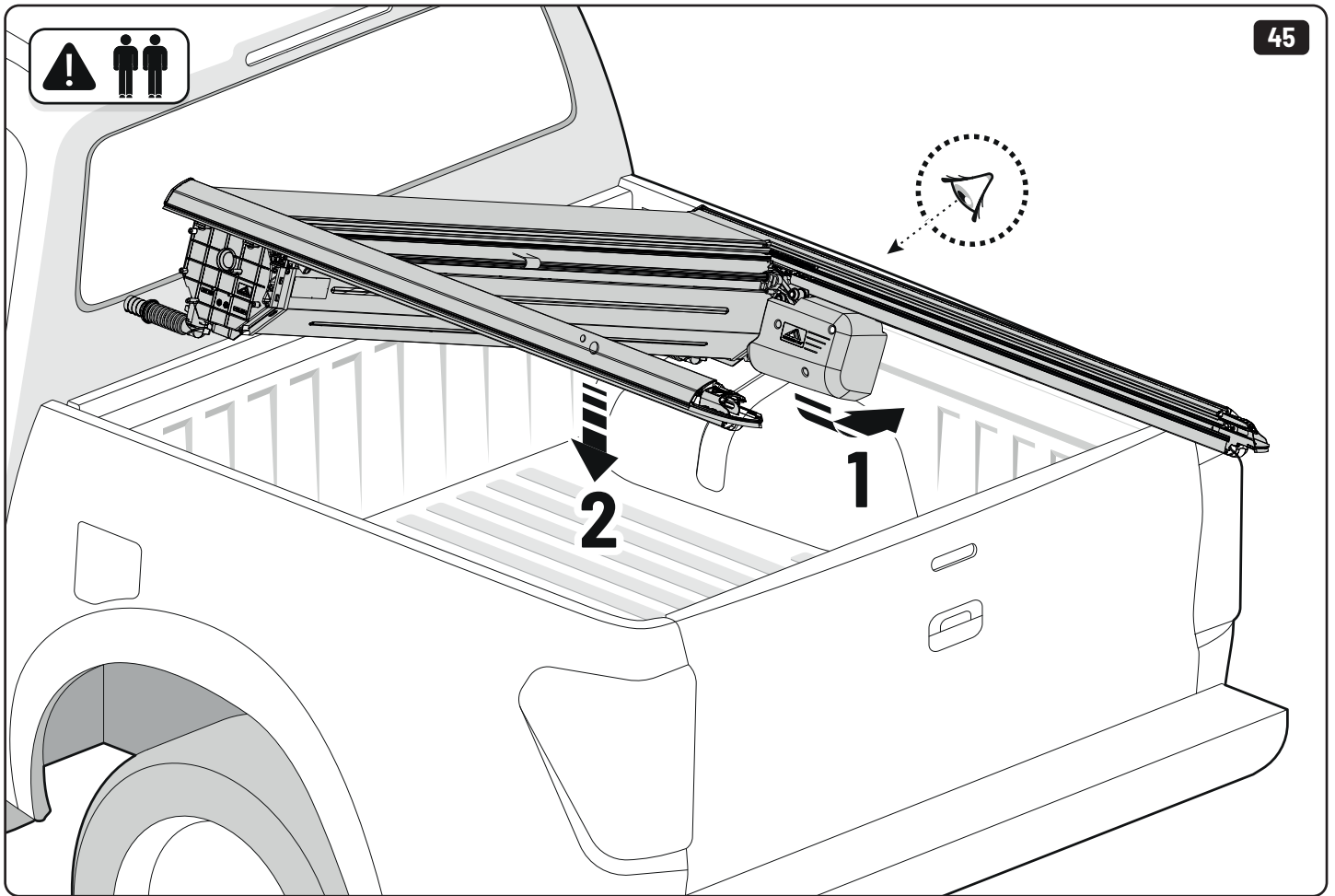


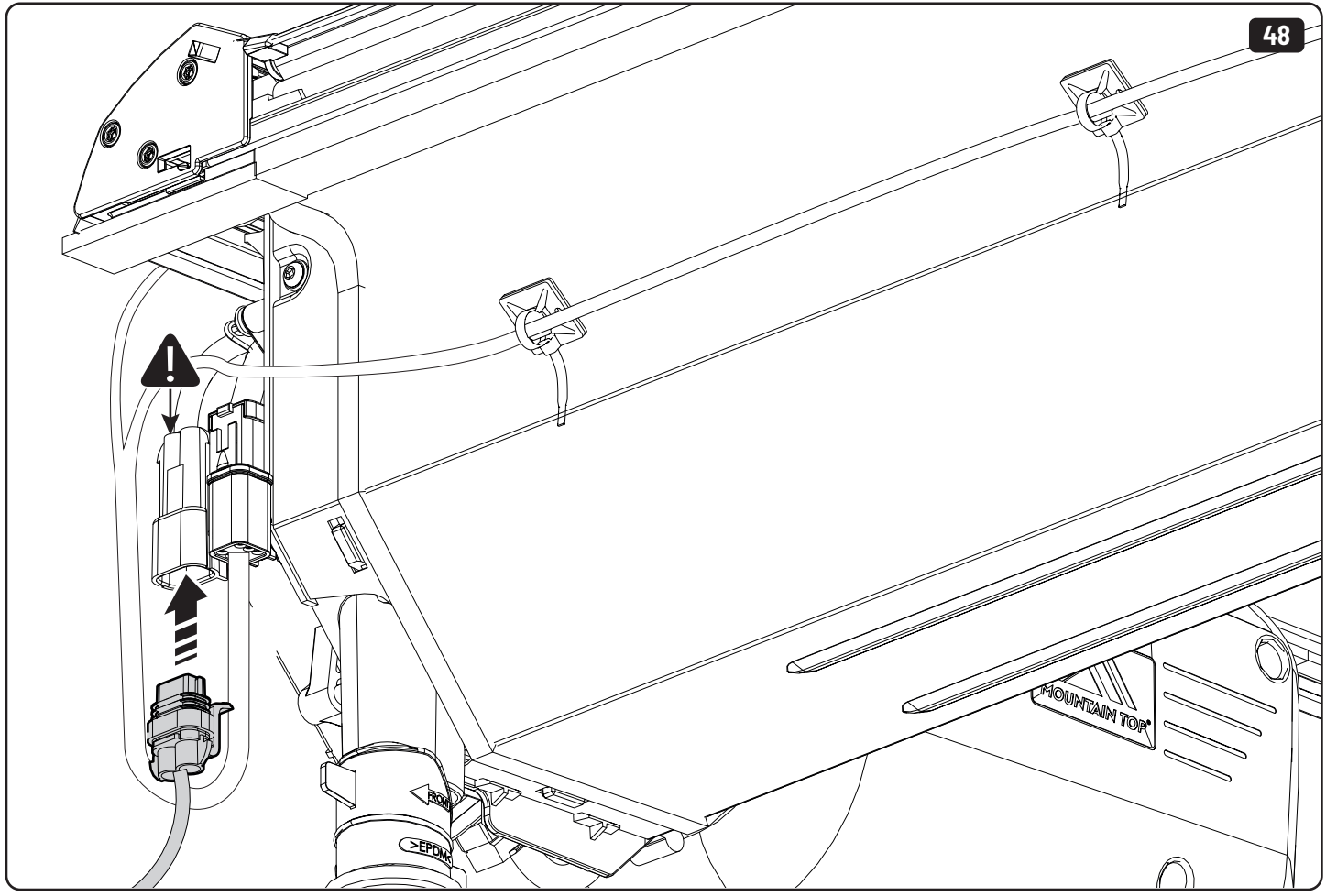
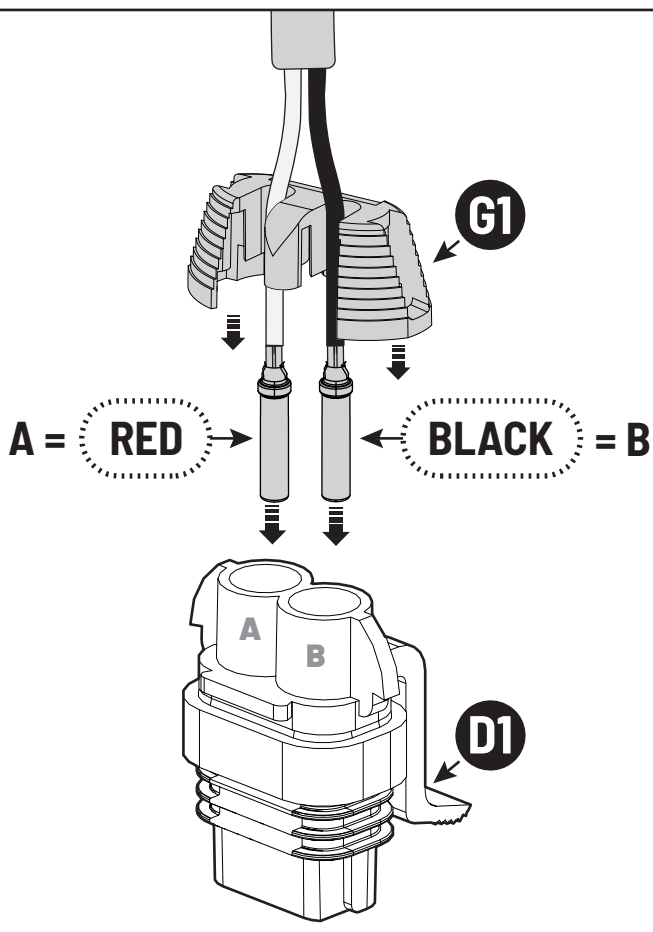


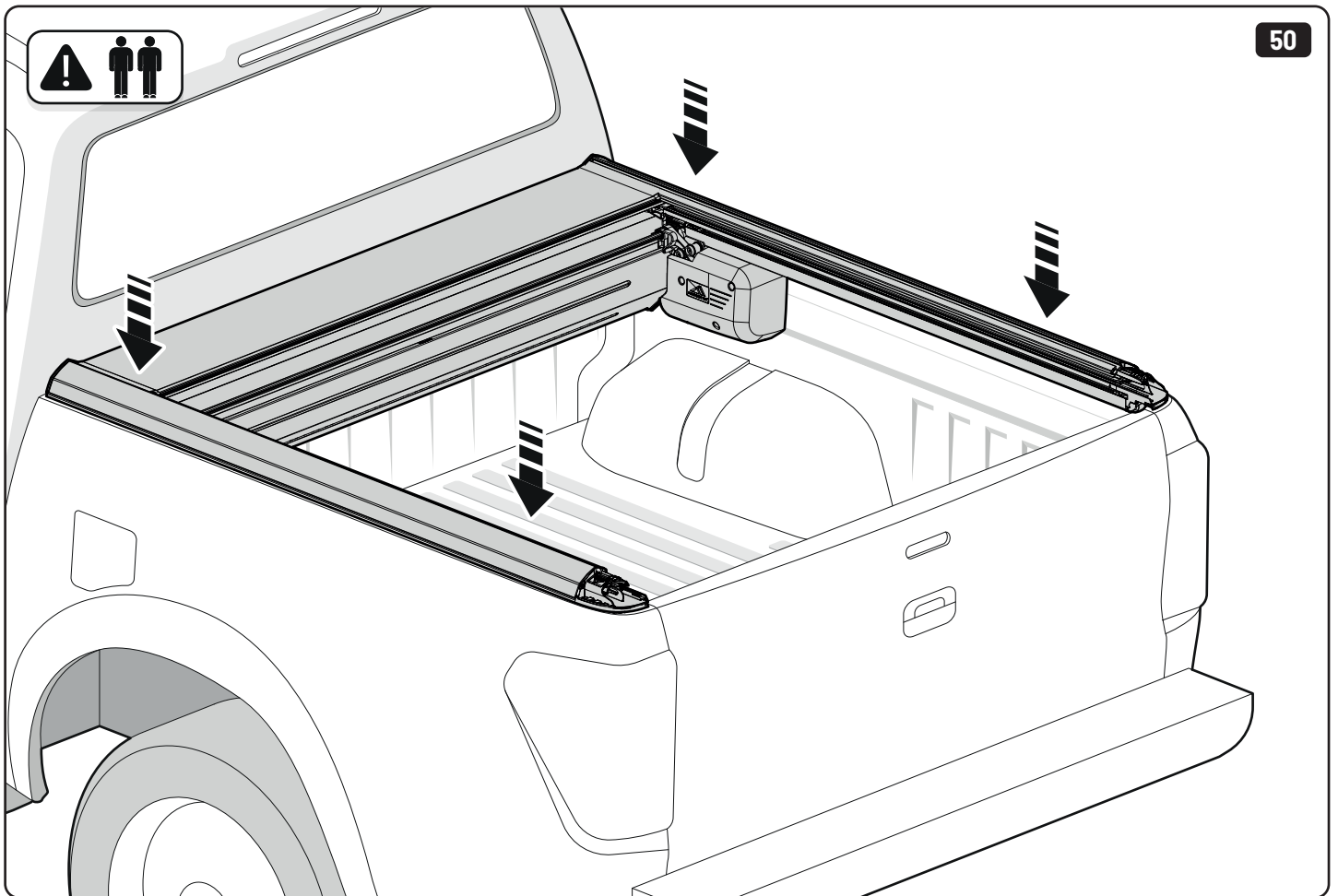
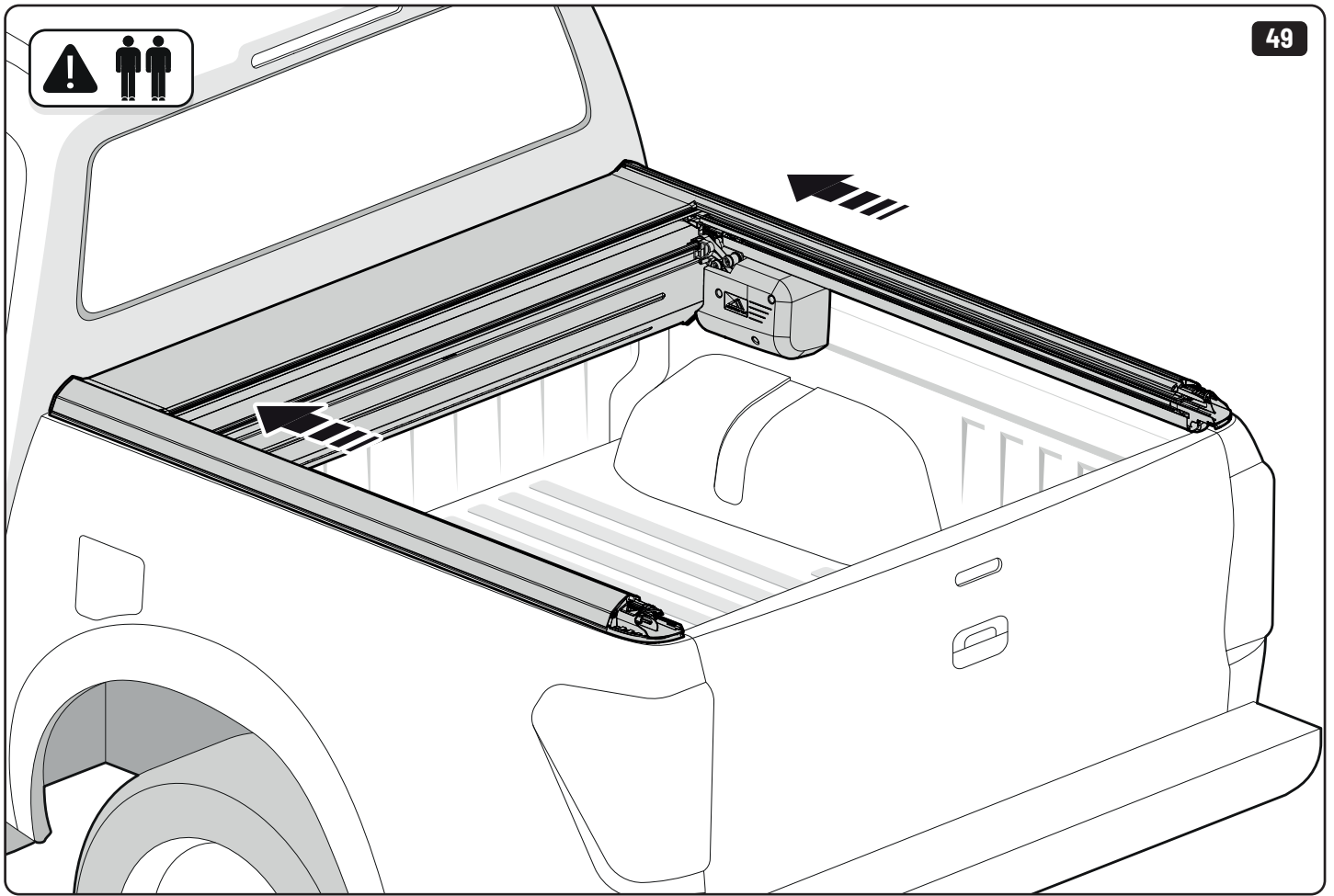


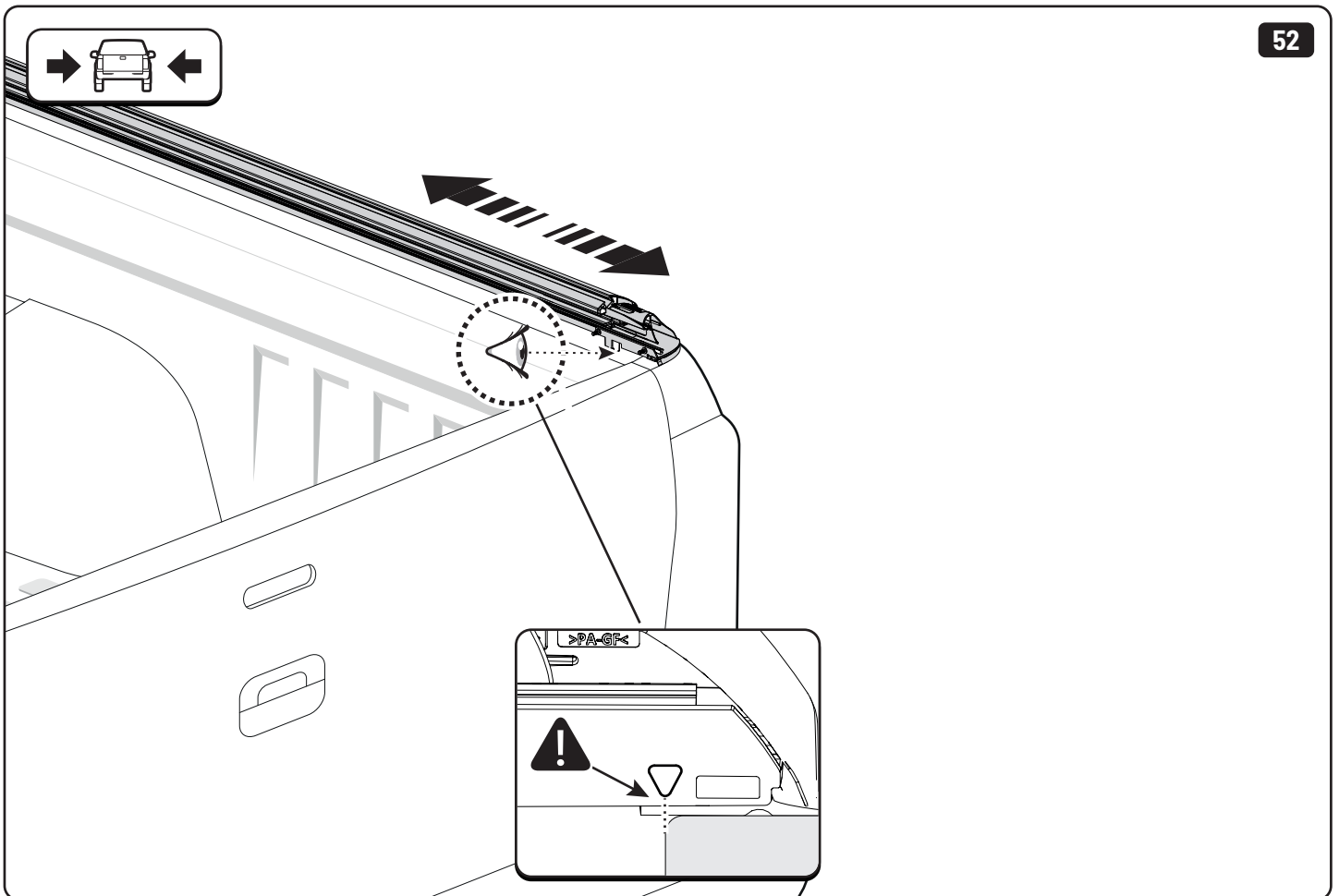
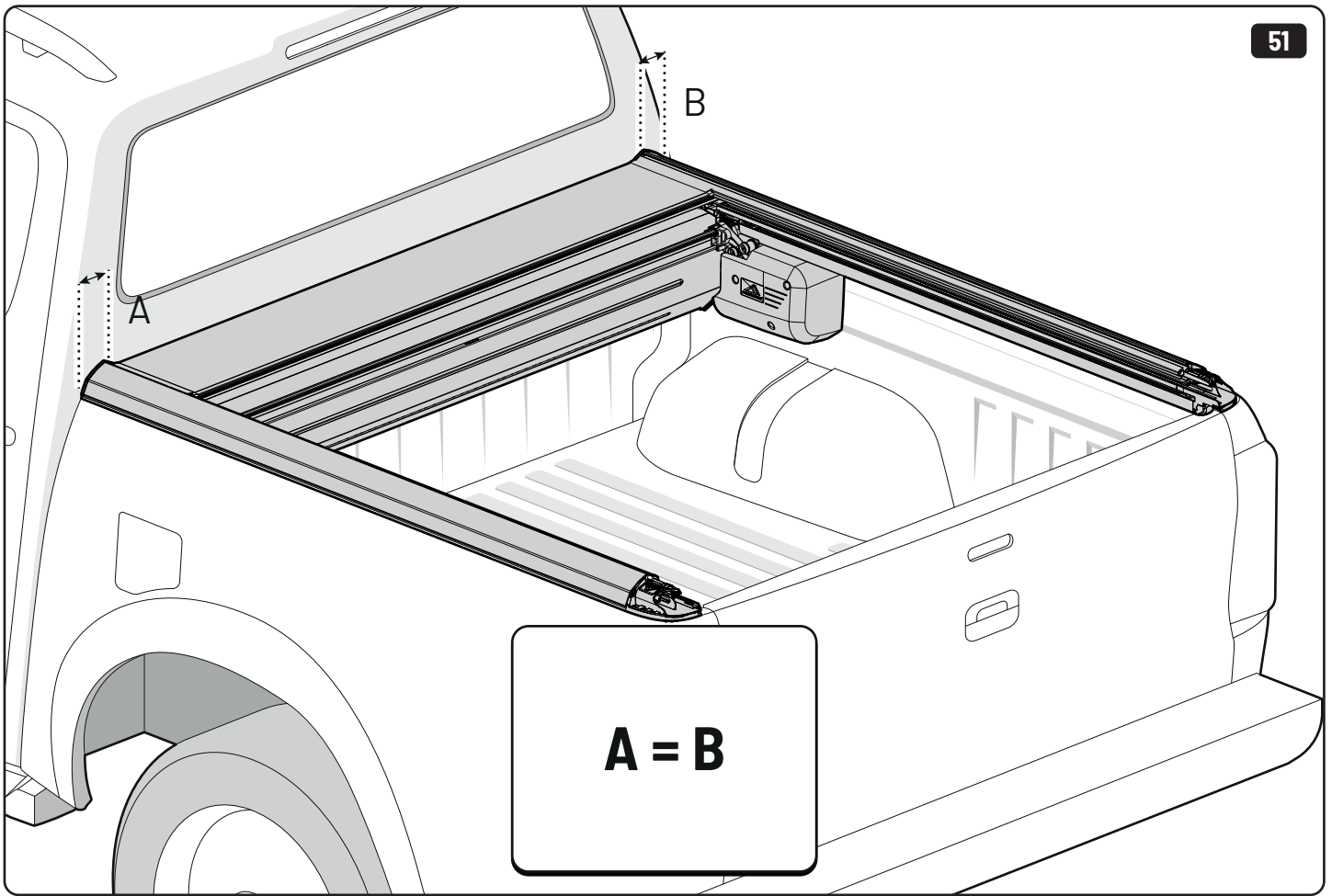


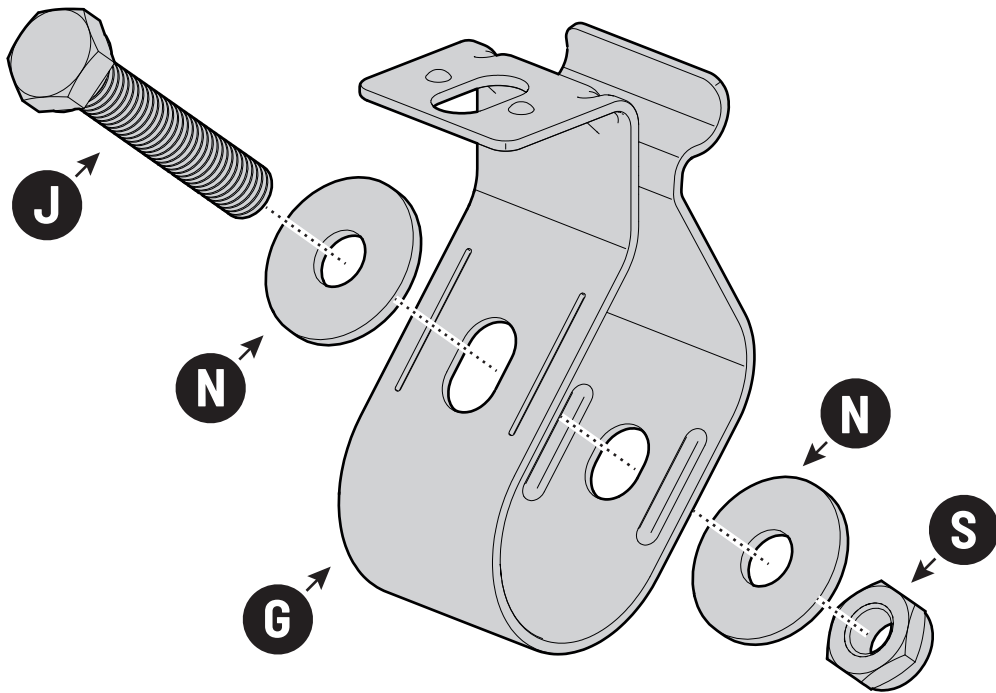




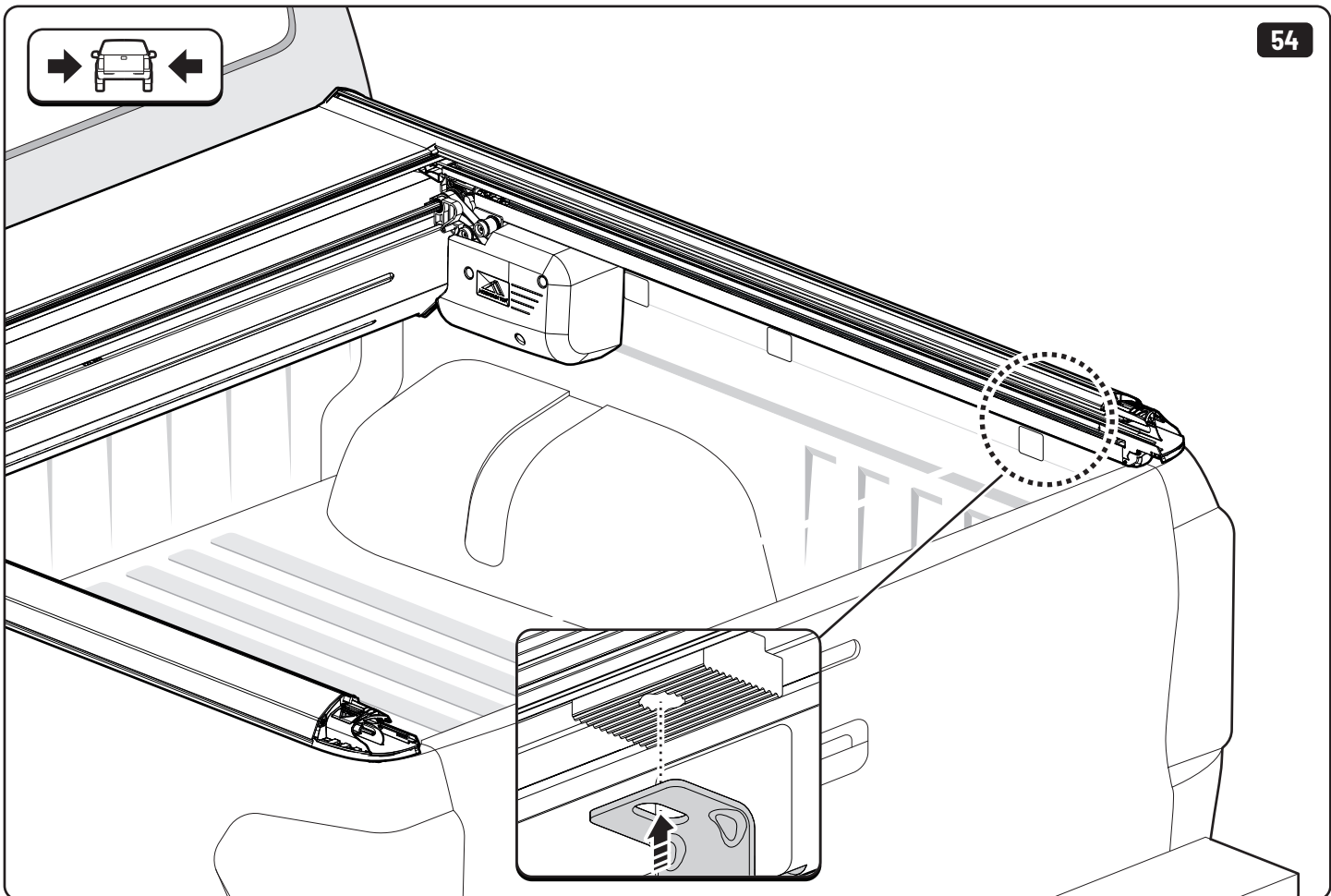


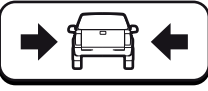




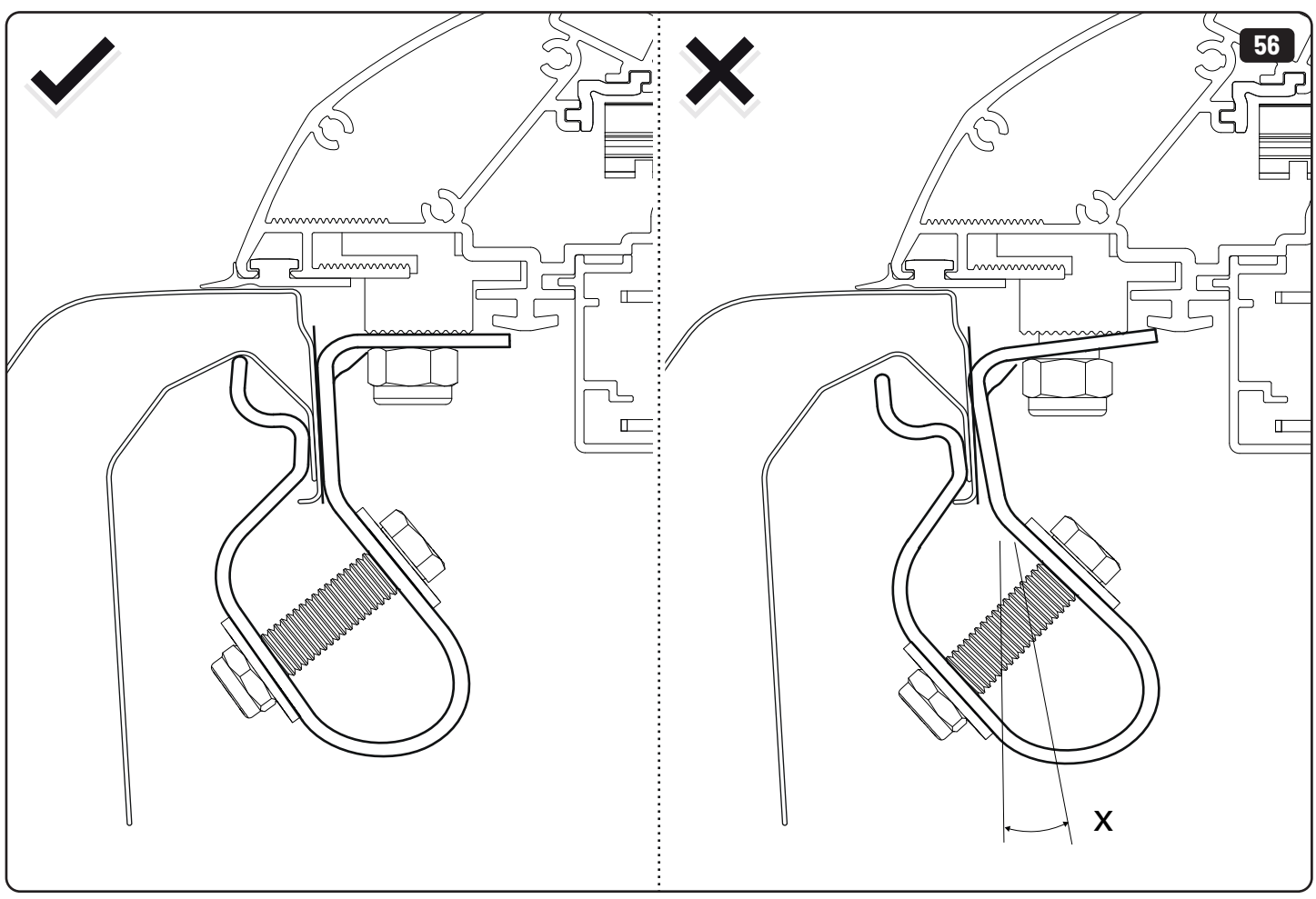
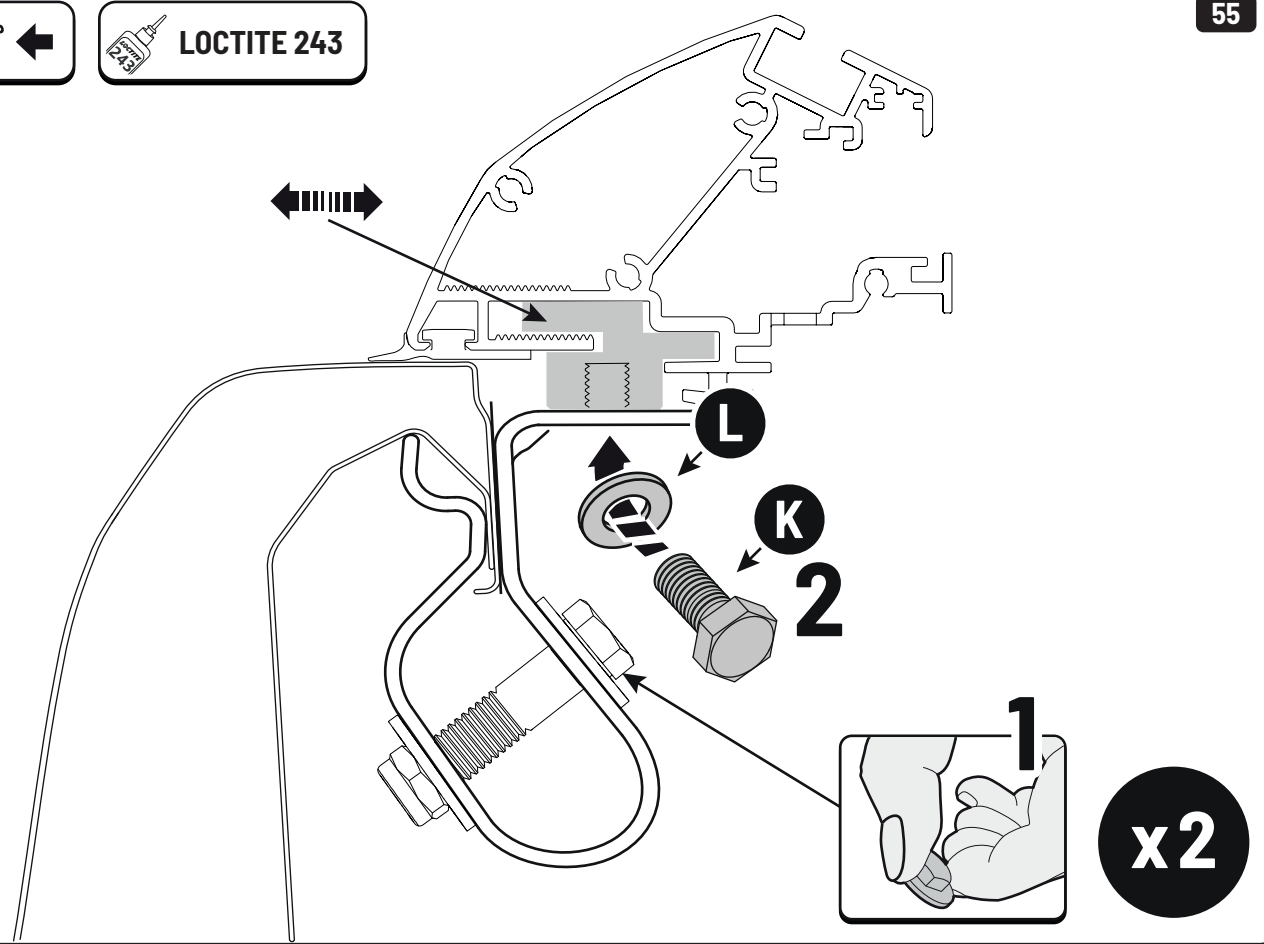


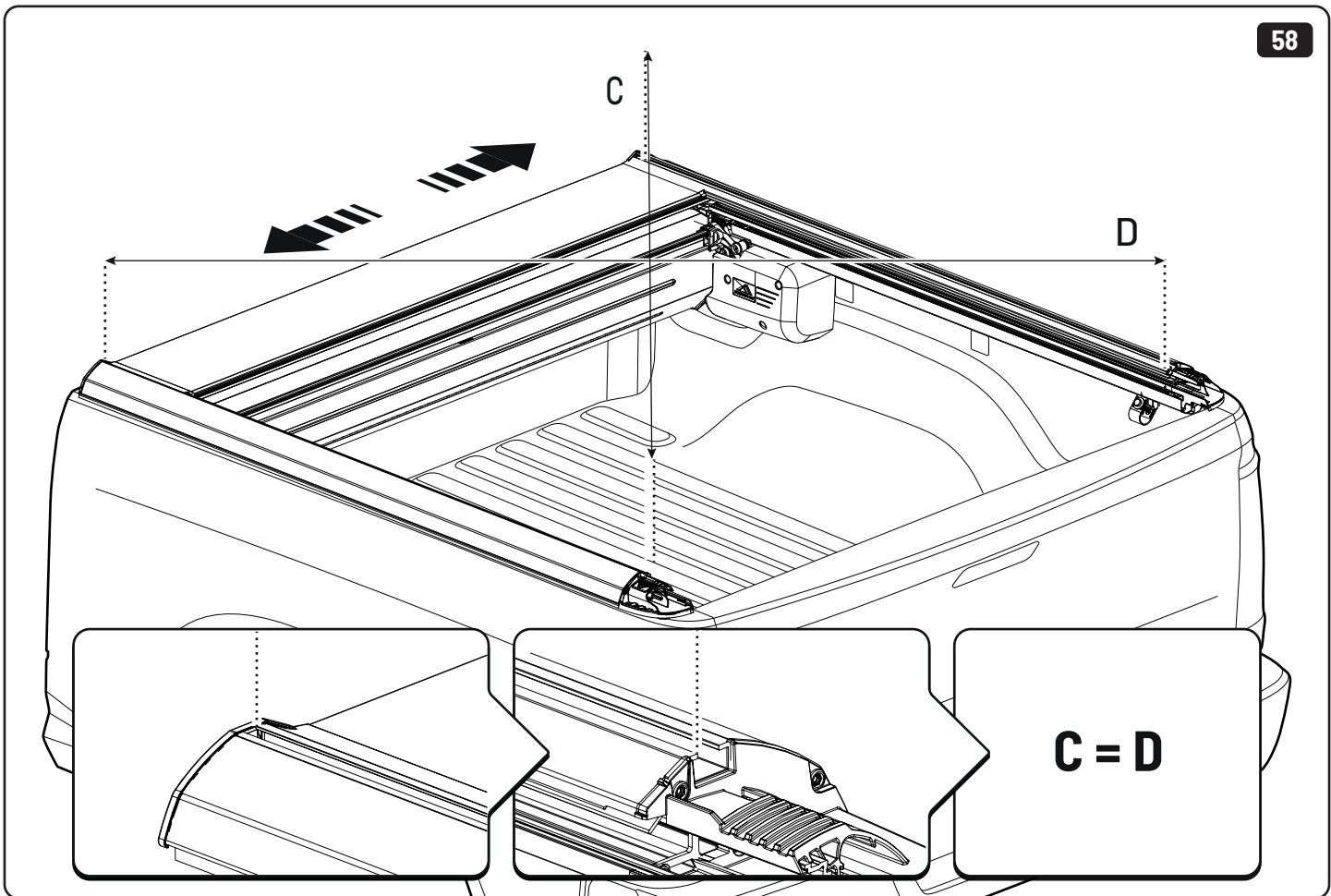
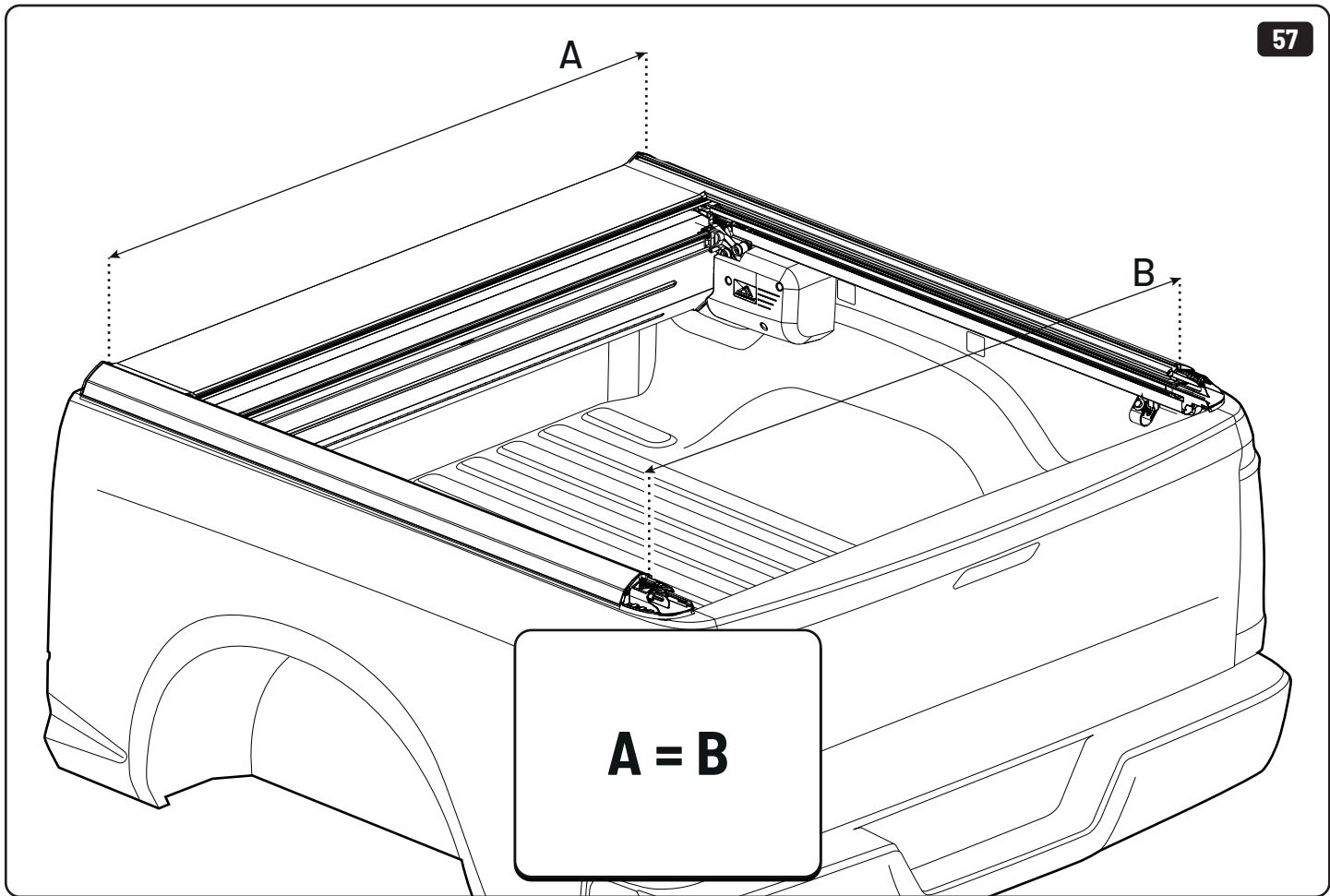
x6

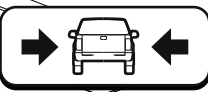
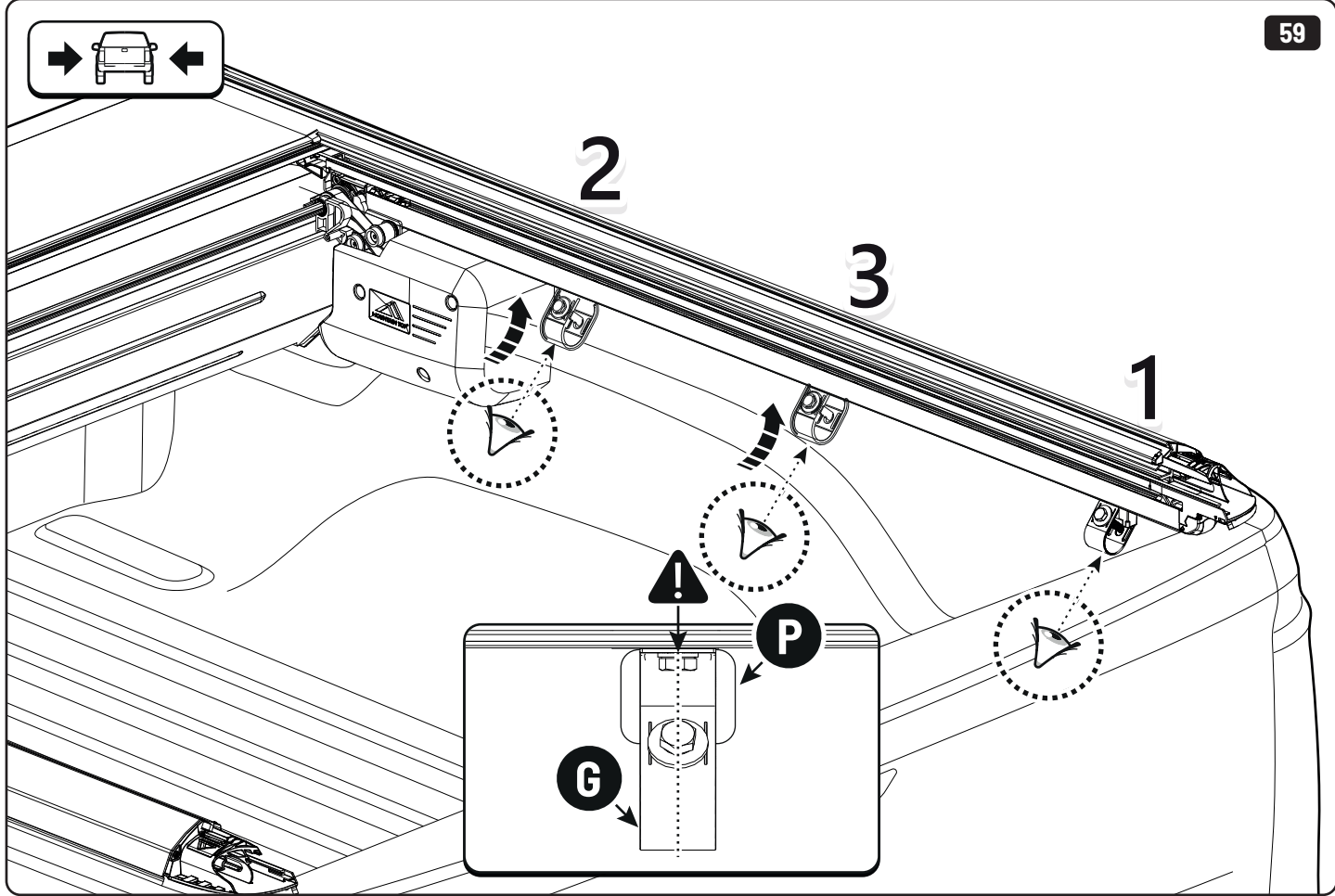
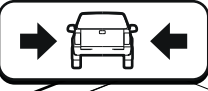




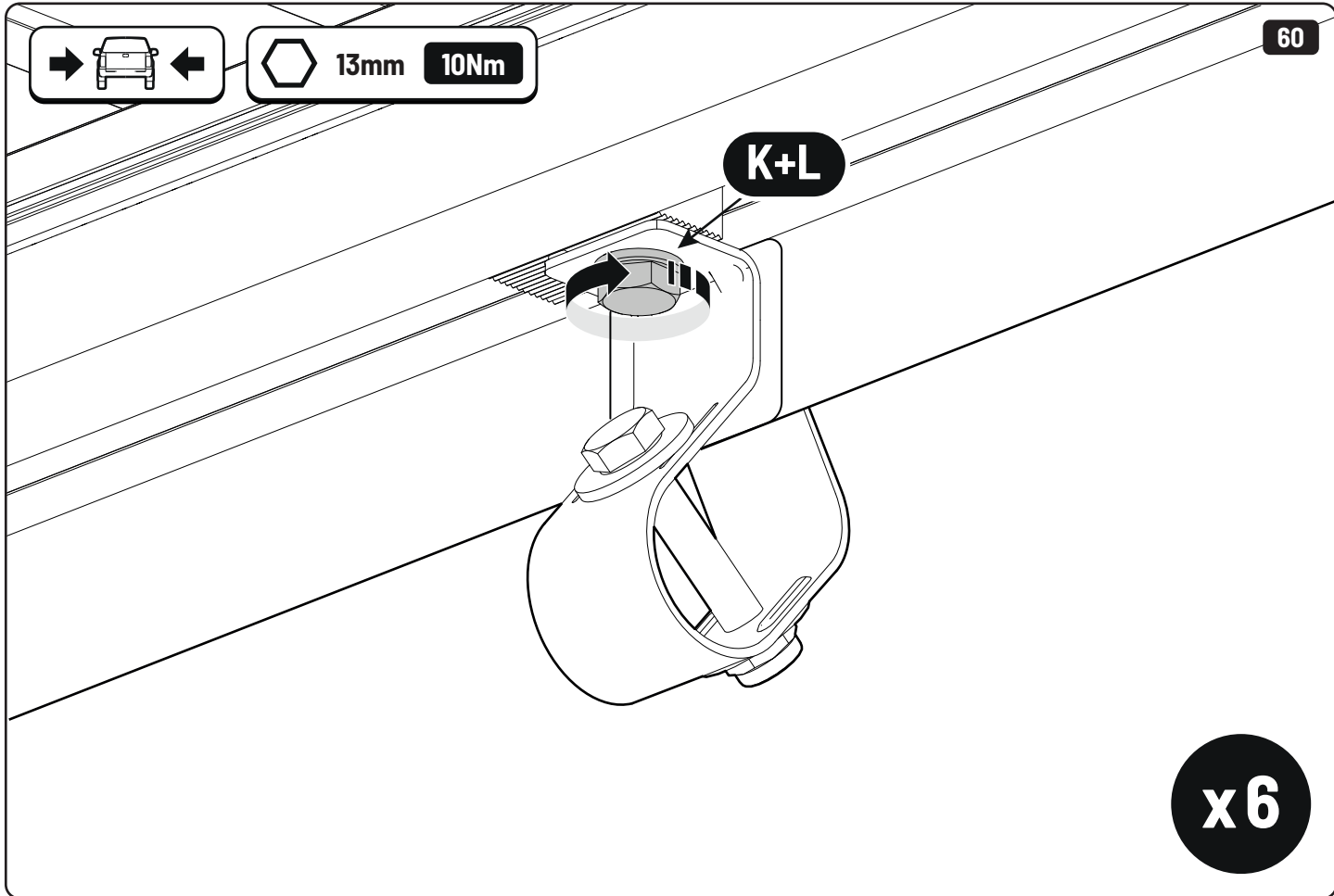
LOCTITE 243



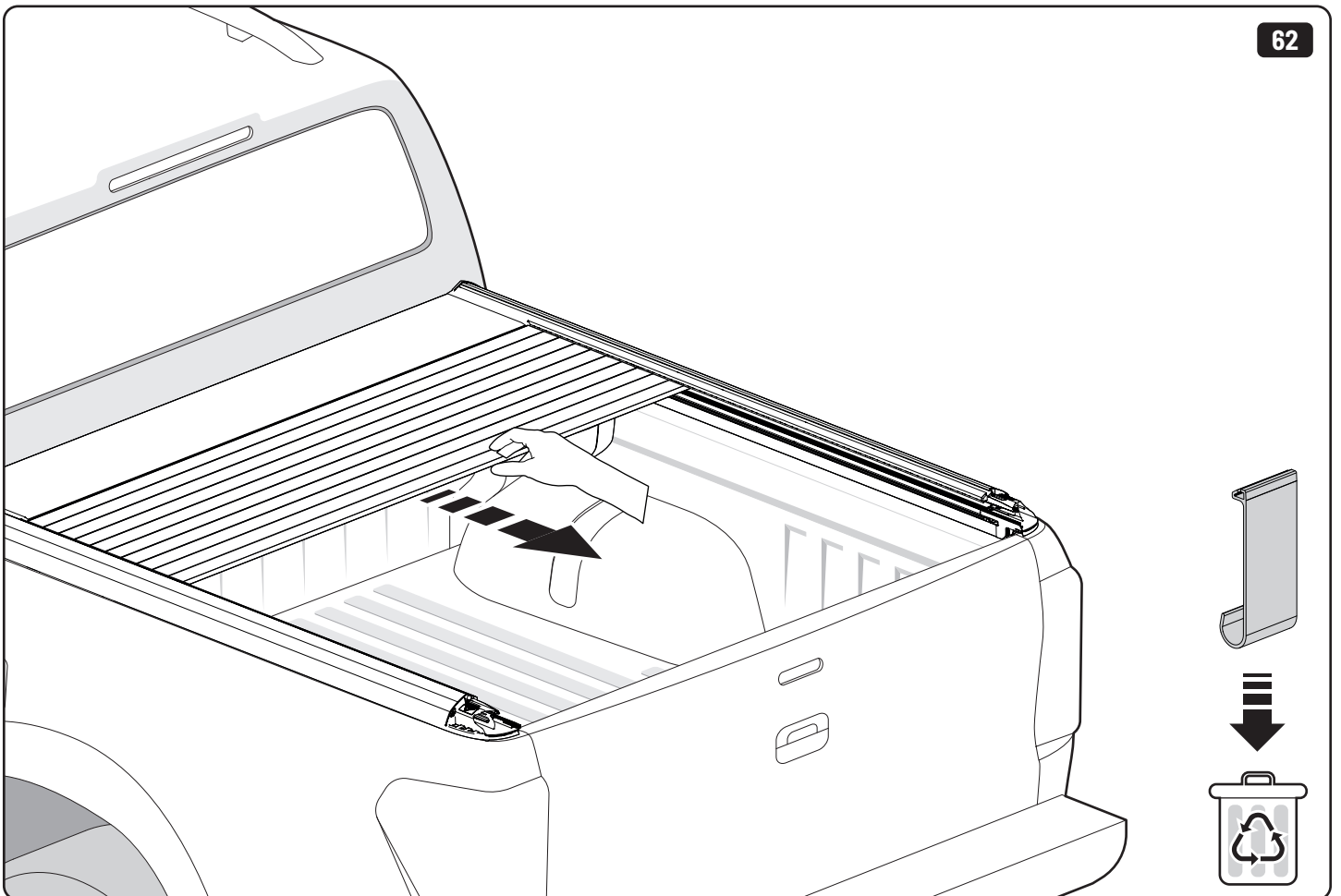
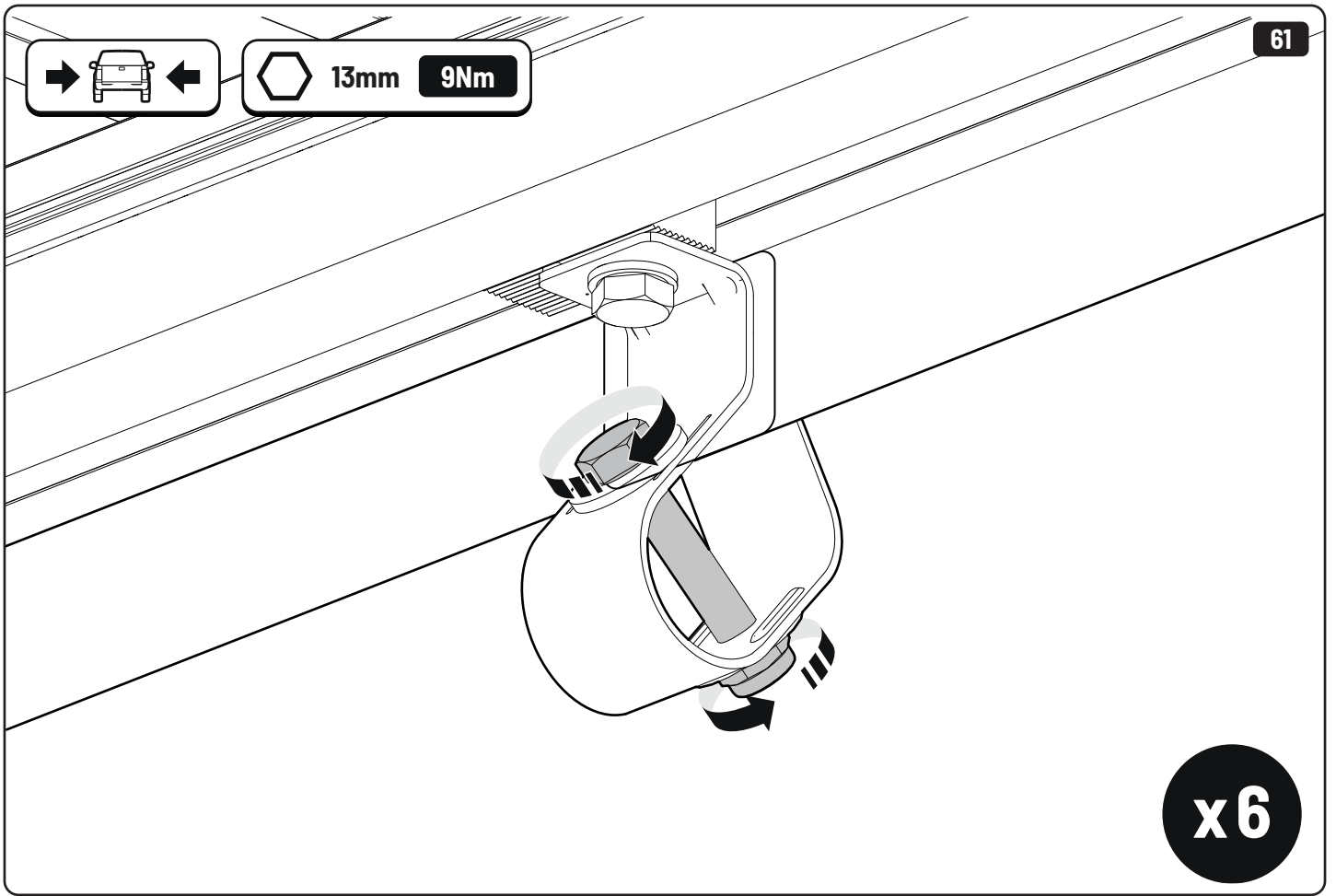


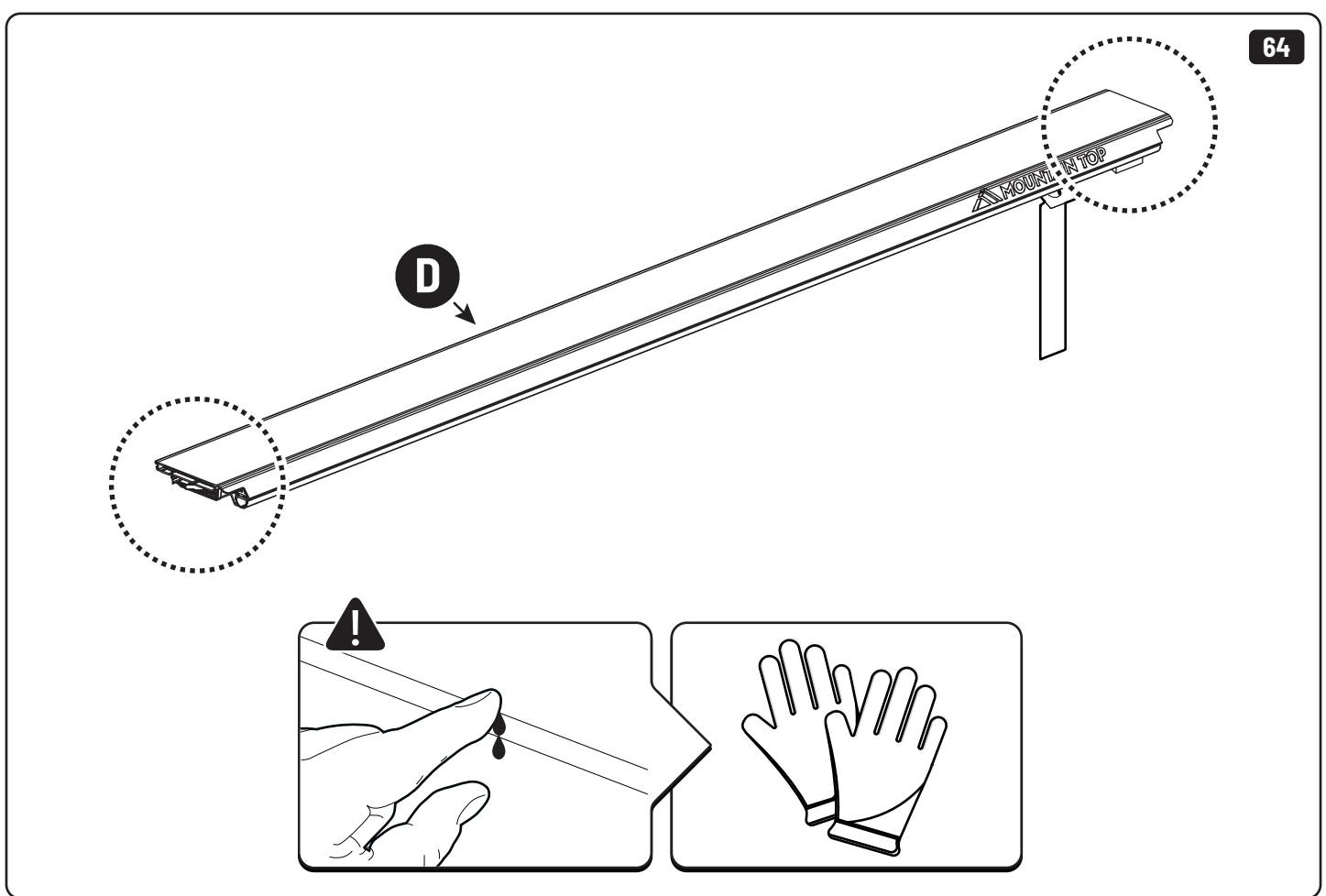
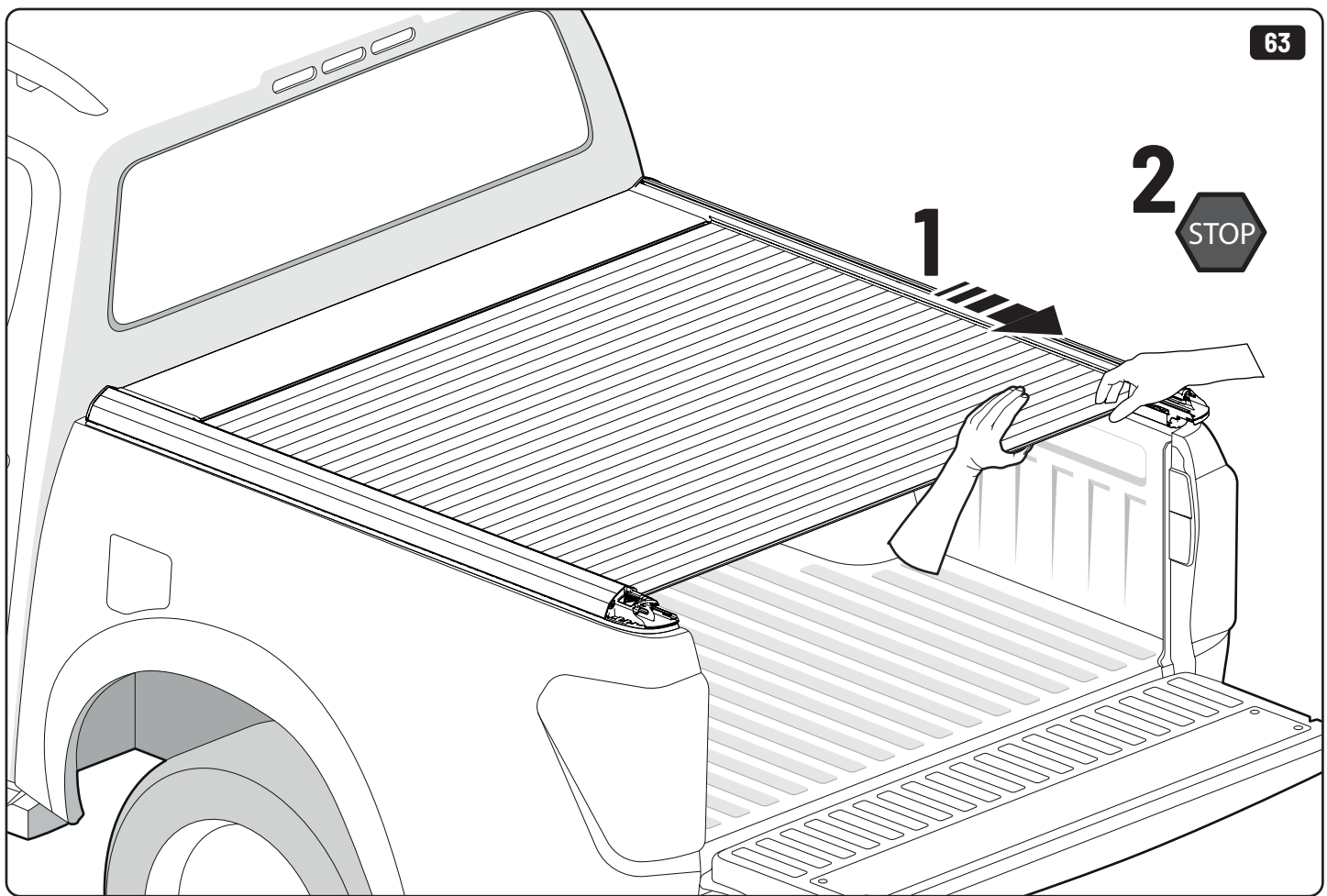


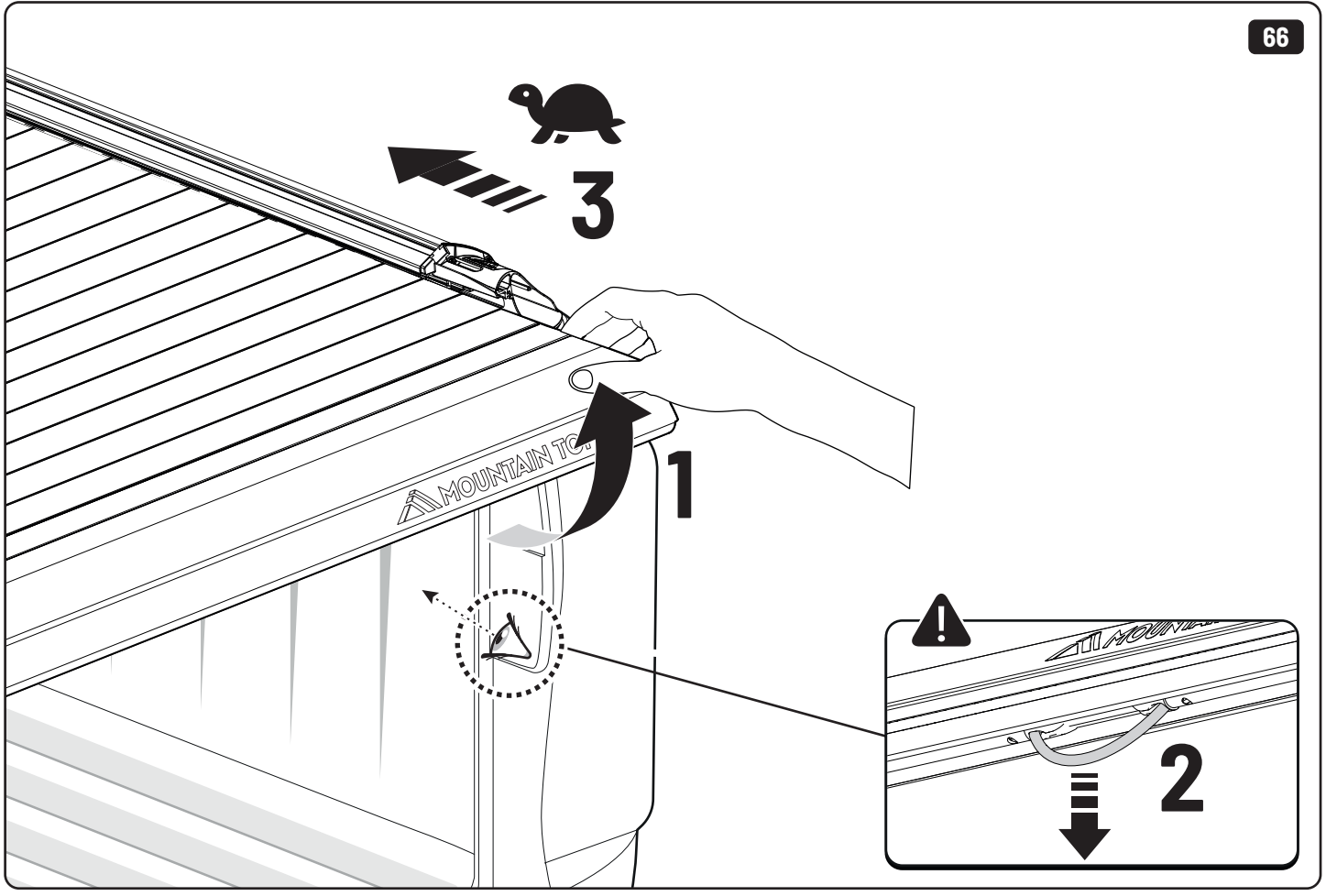
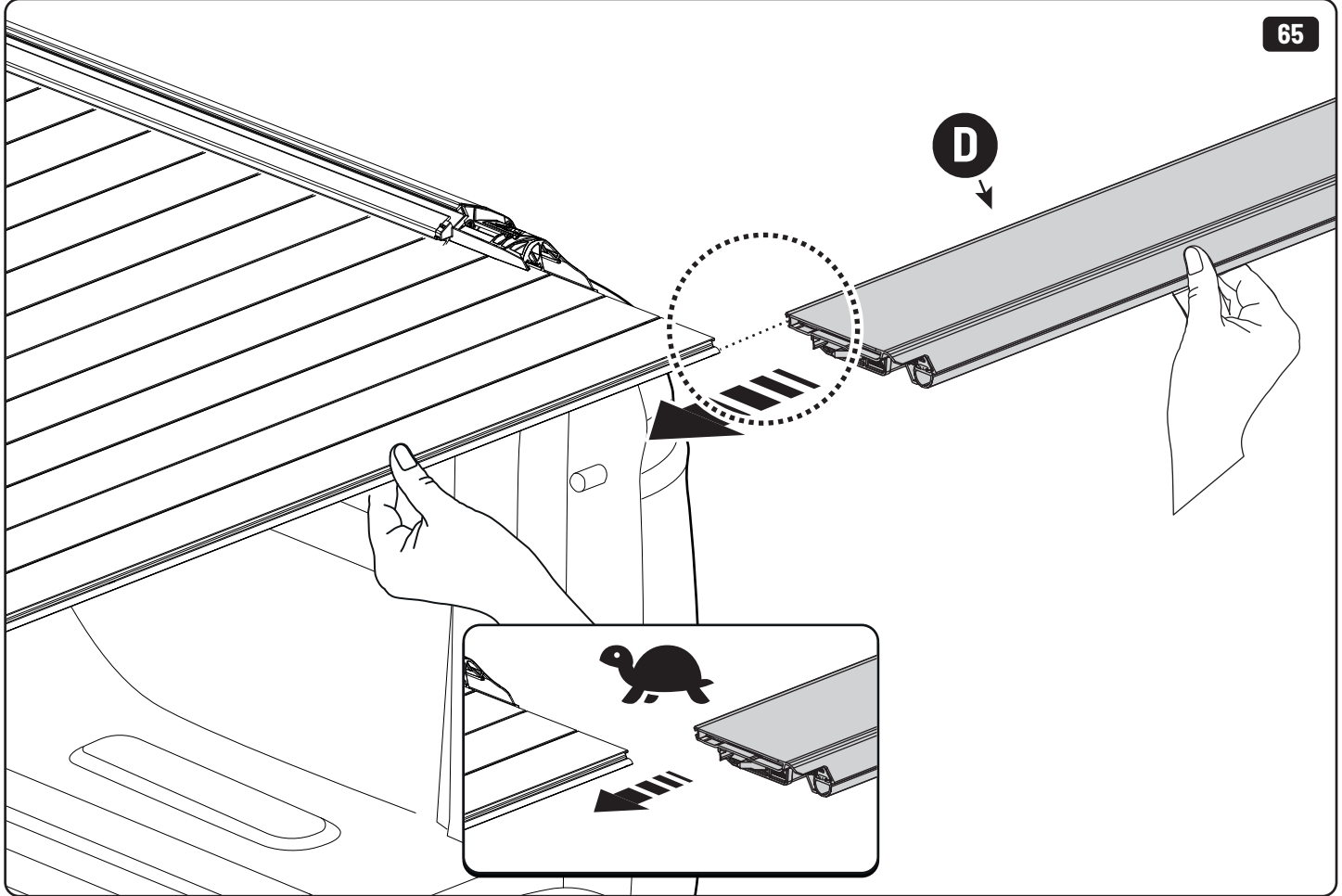
13mm 10Nm

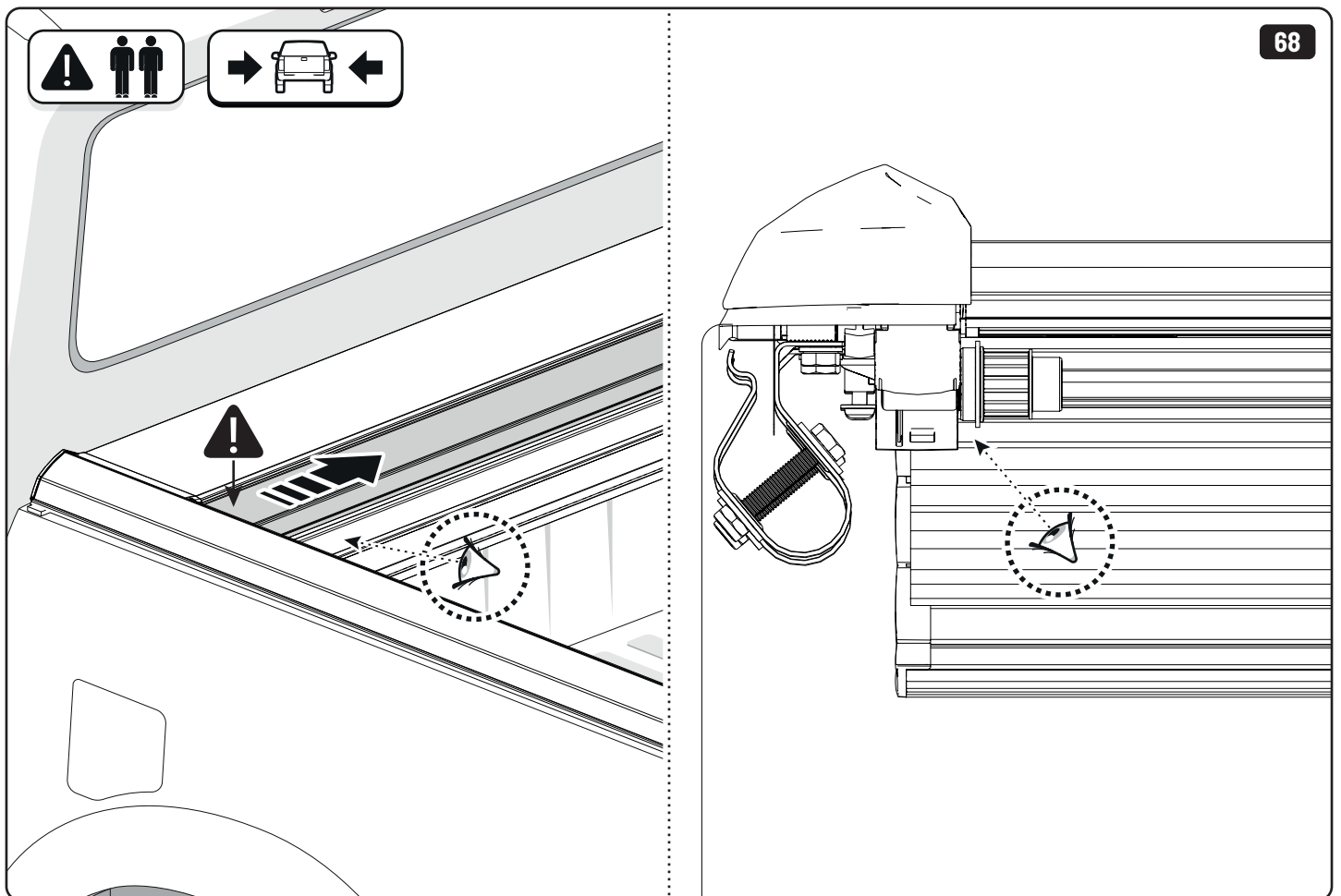
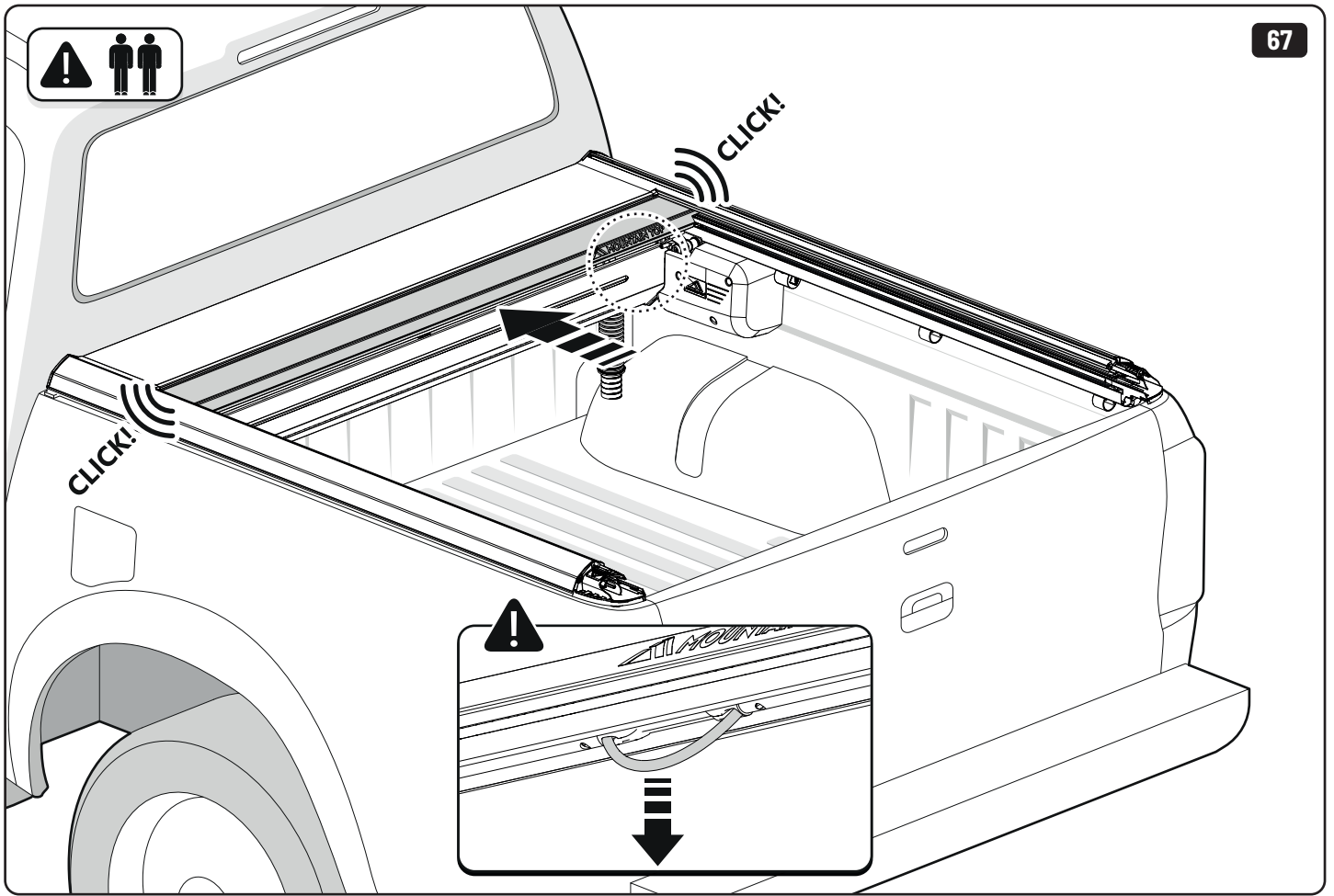


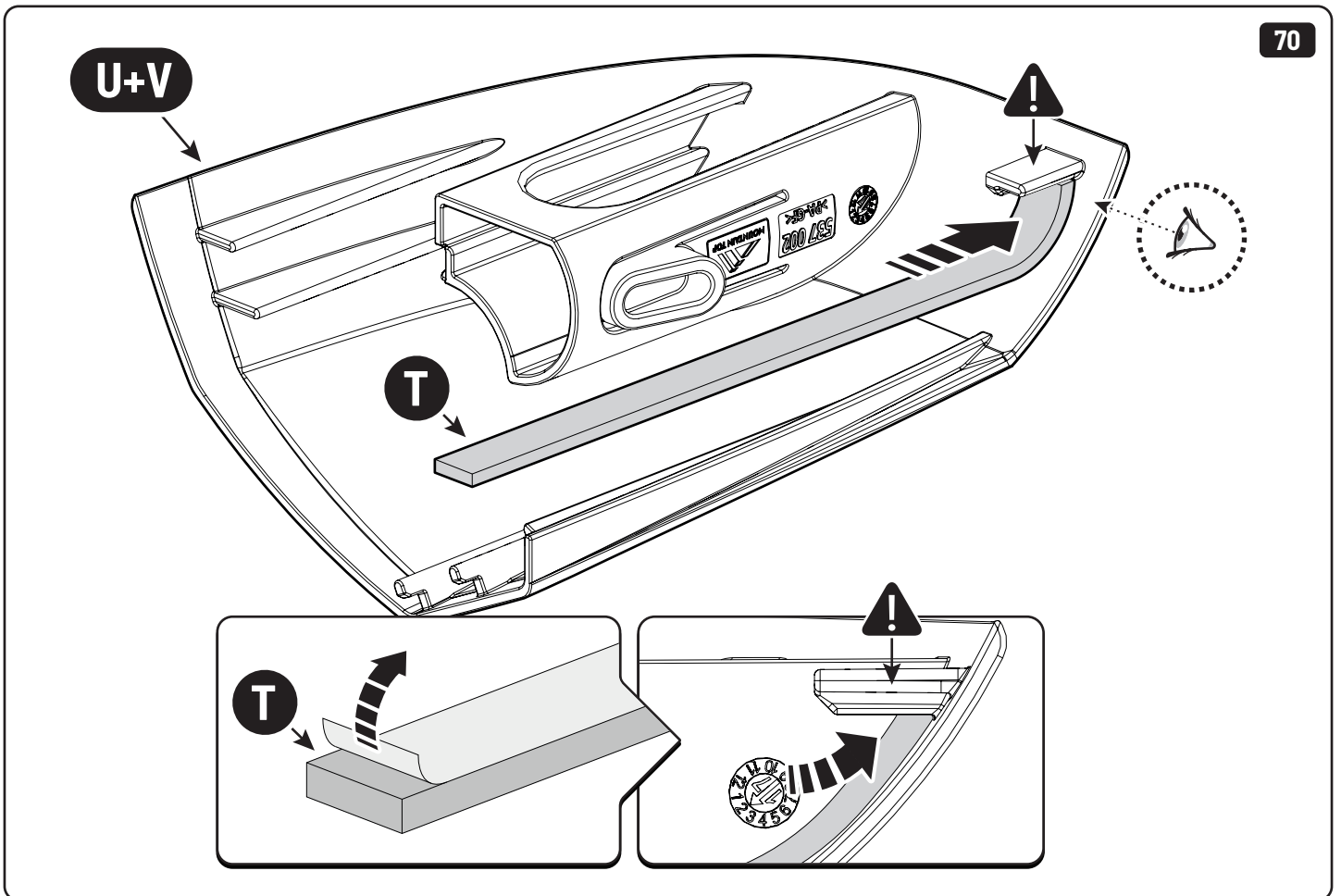
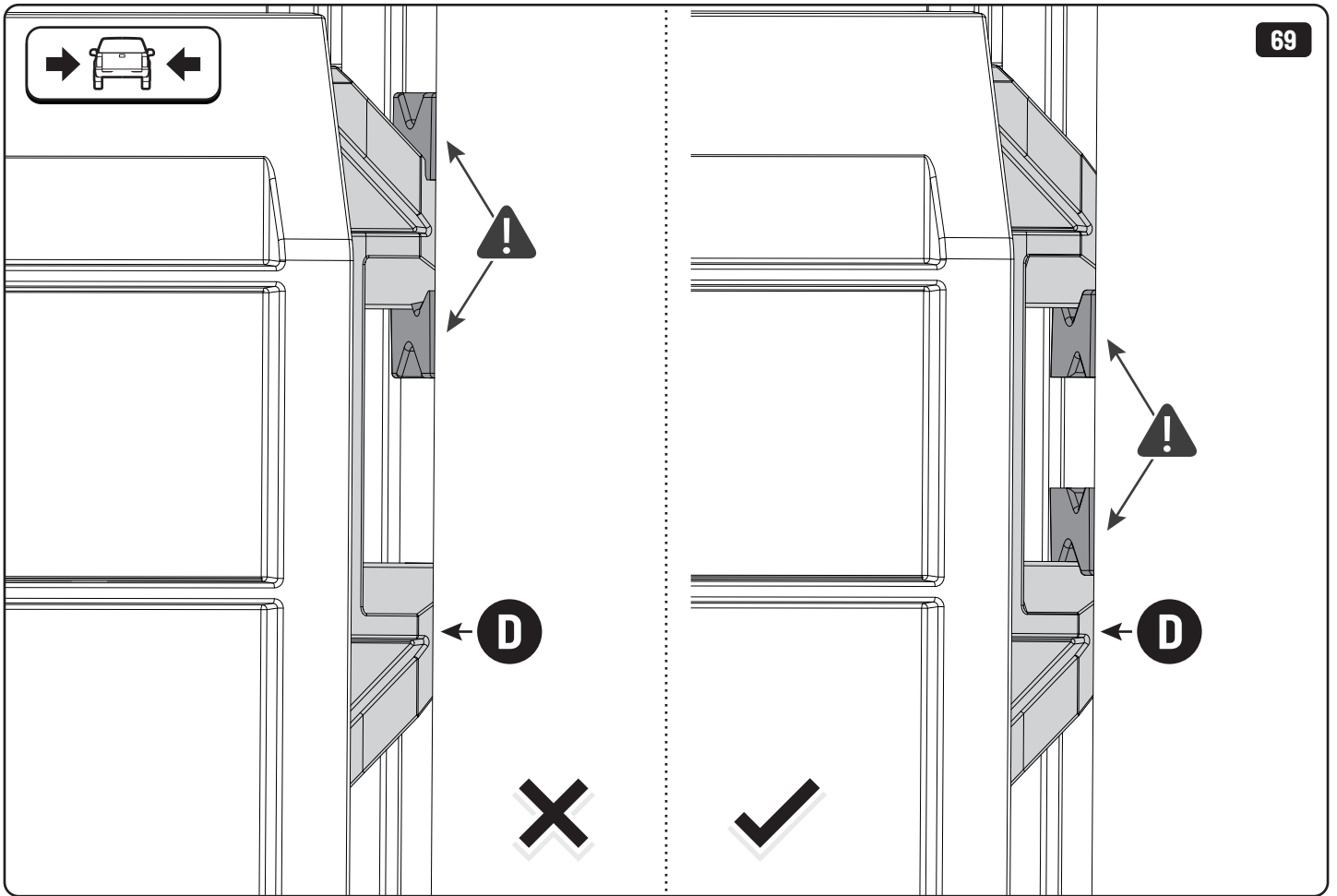
x6

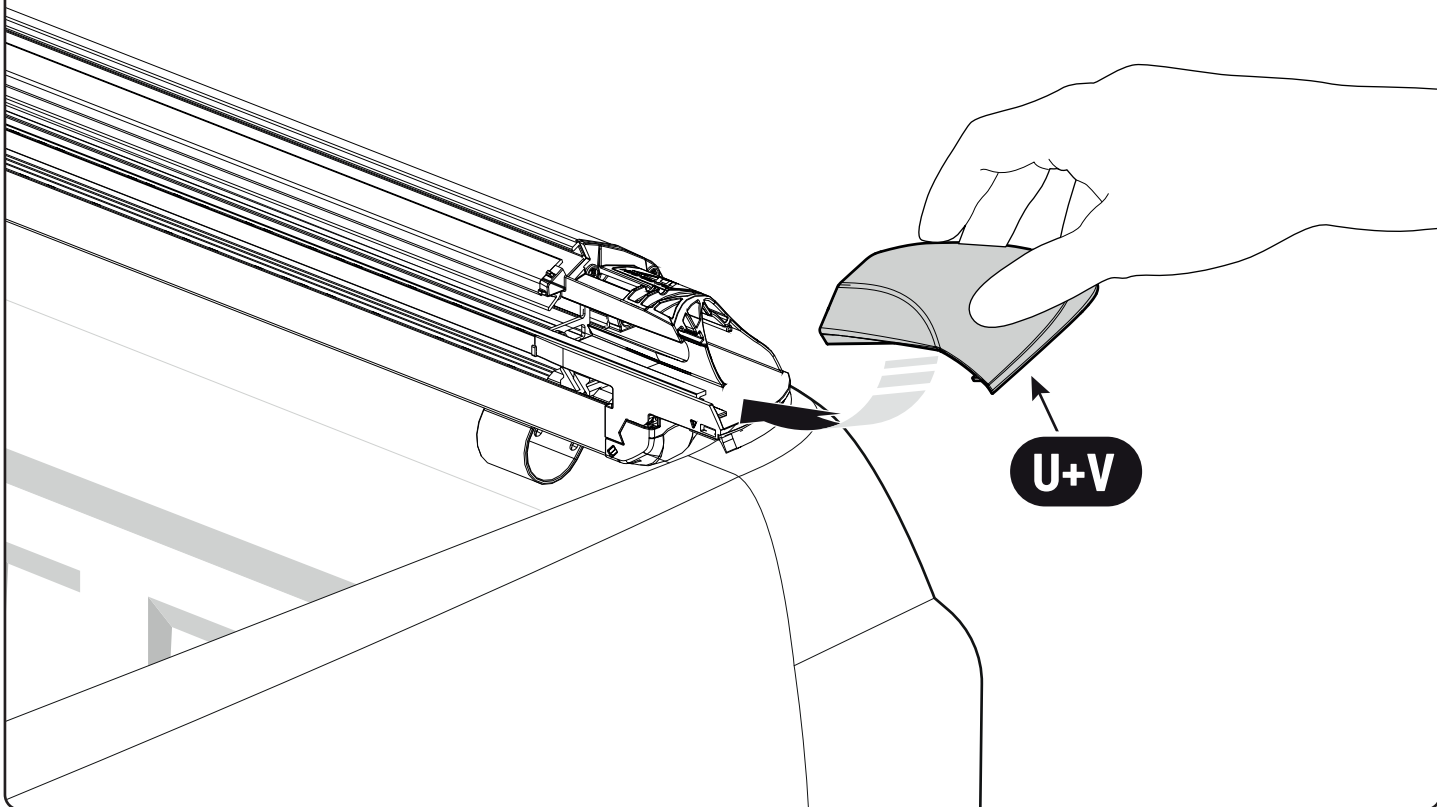
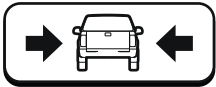
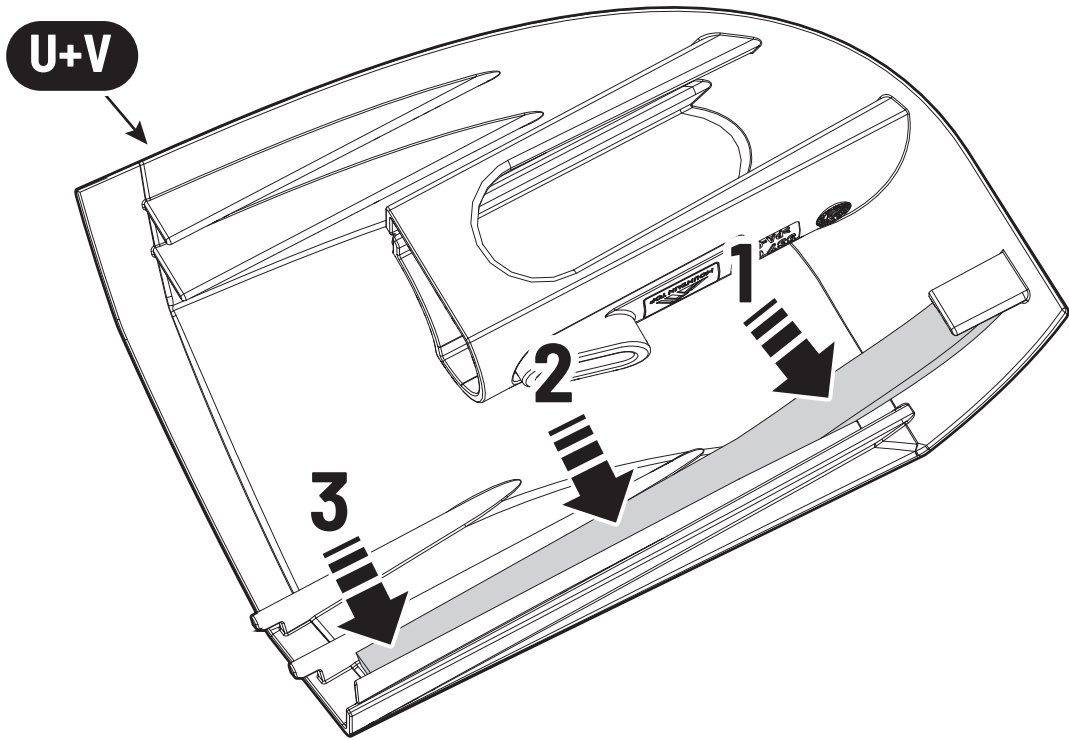


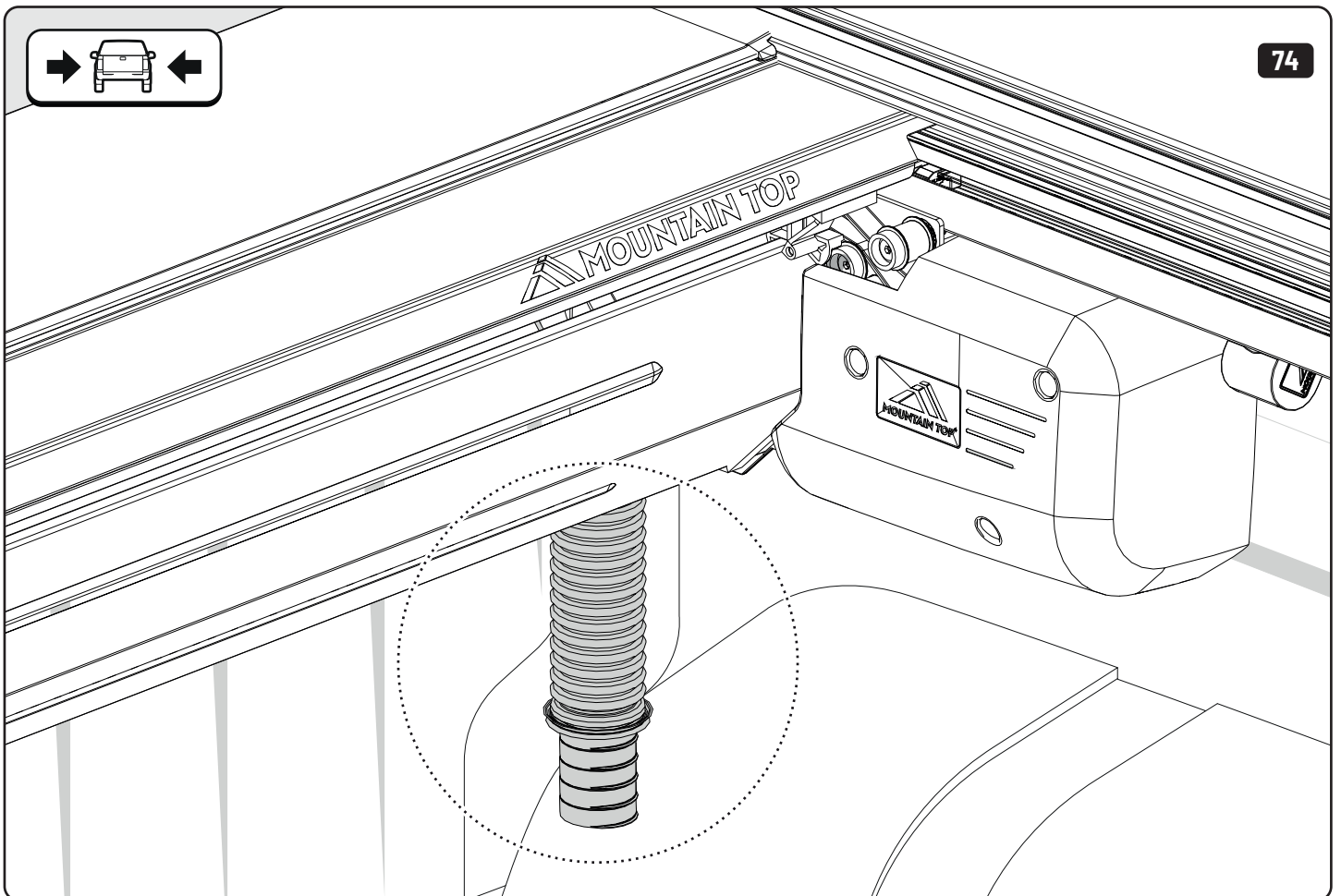
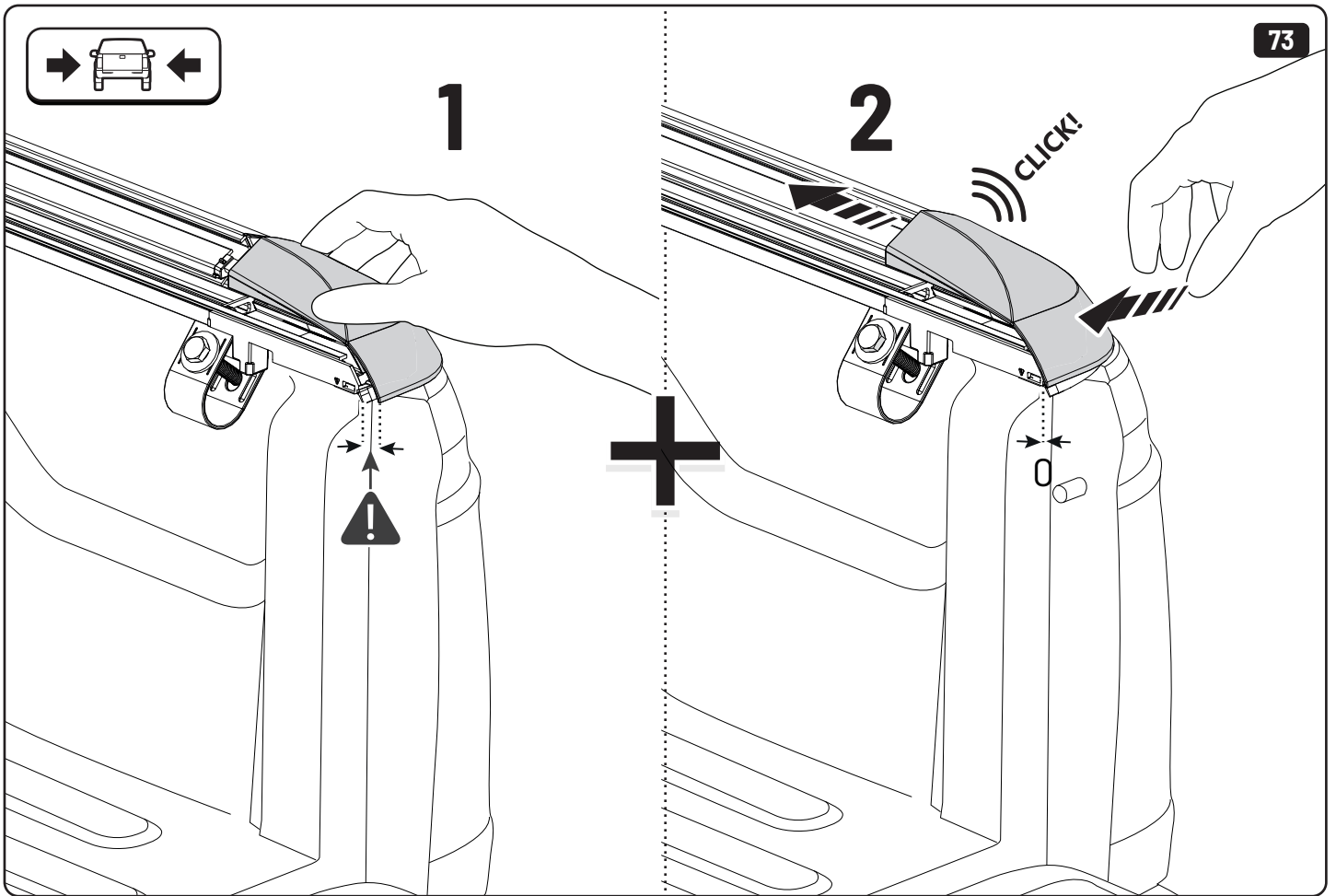


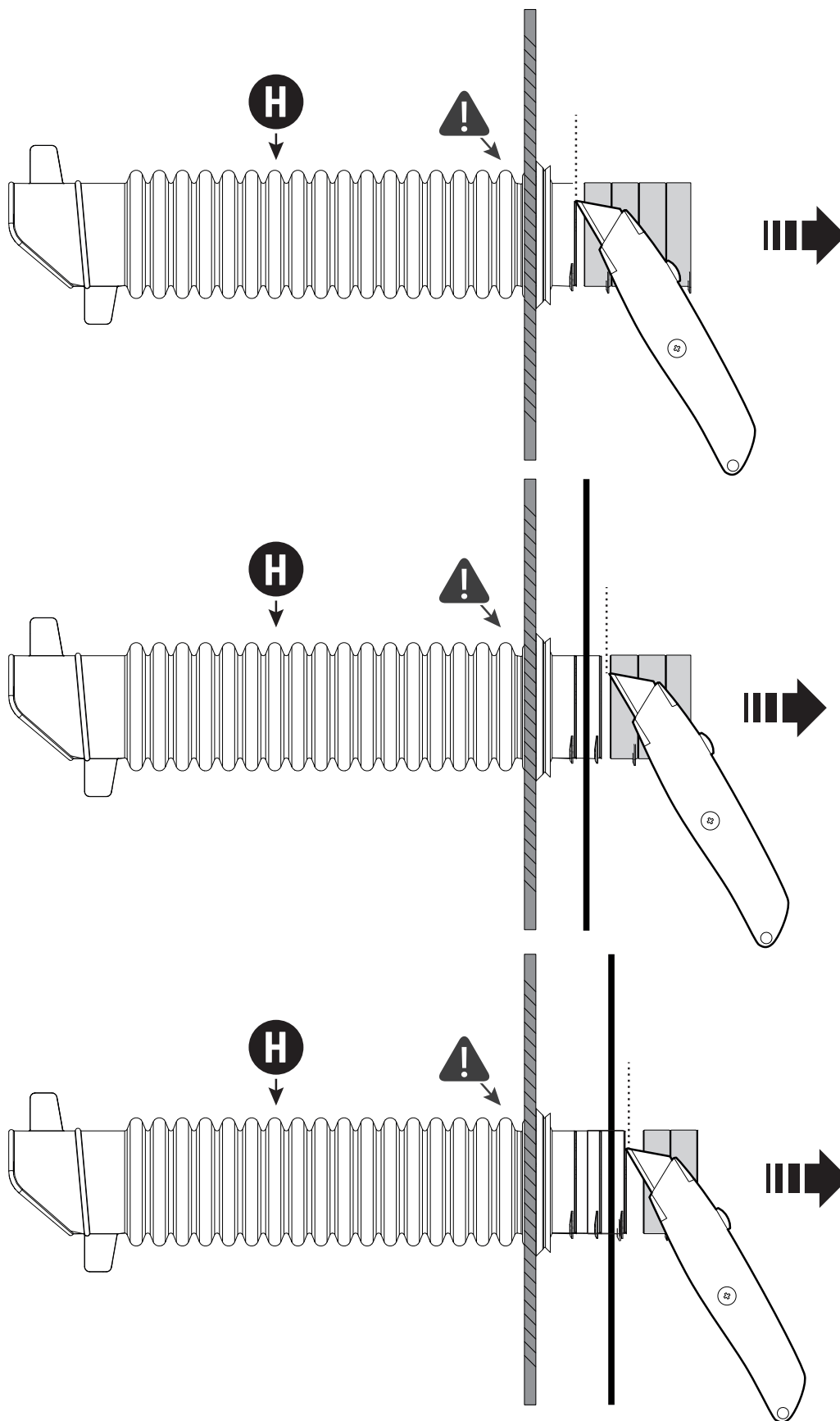


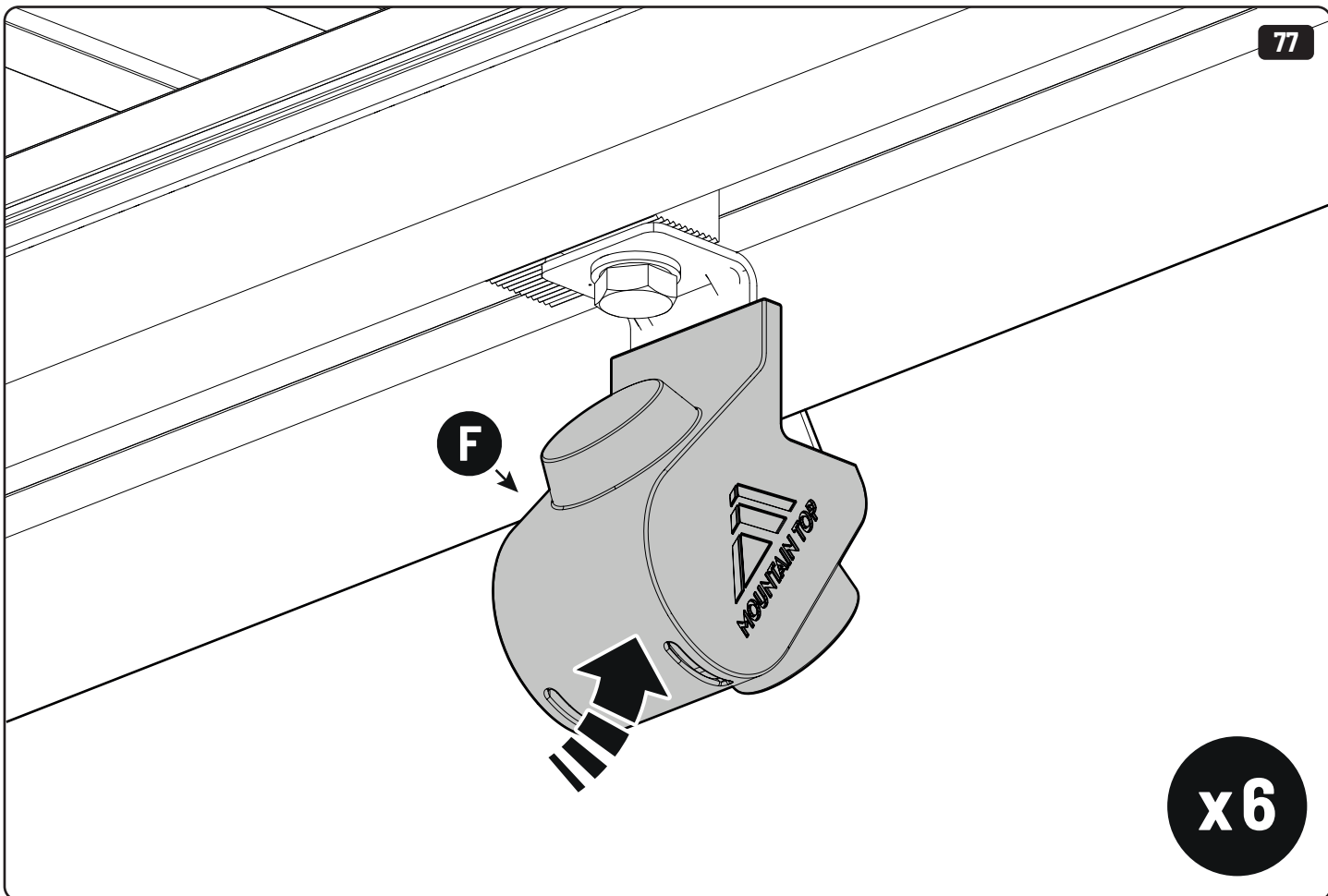
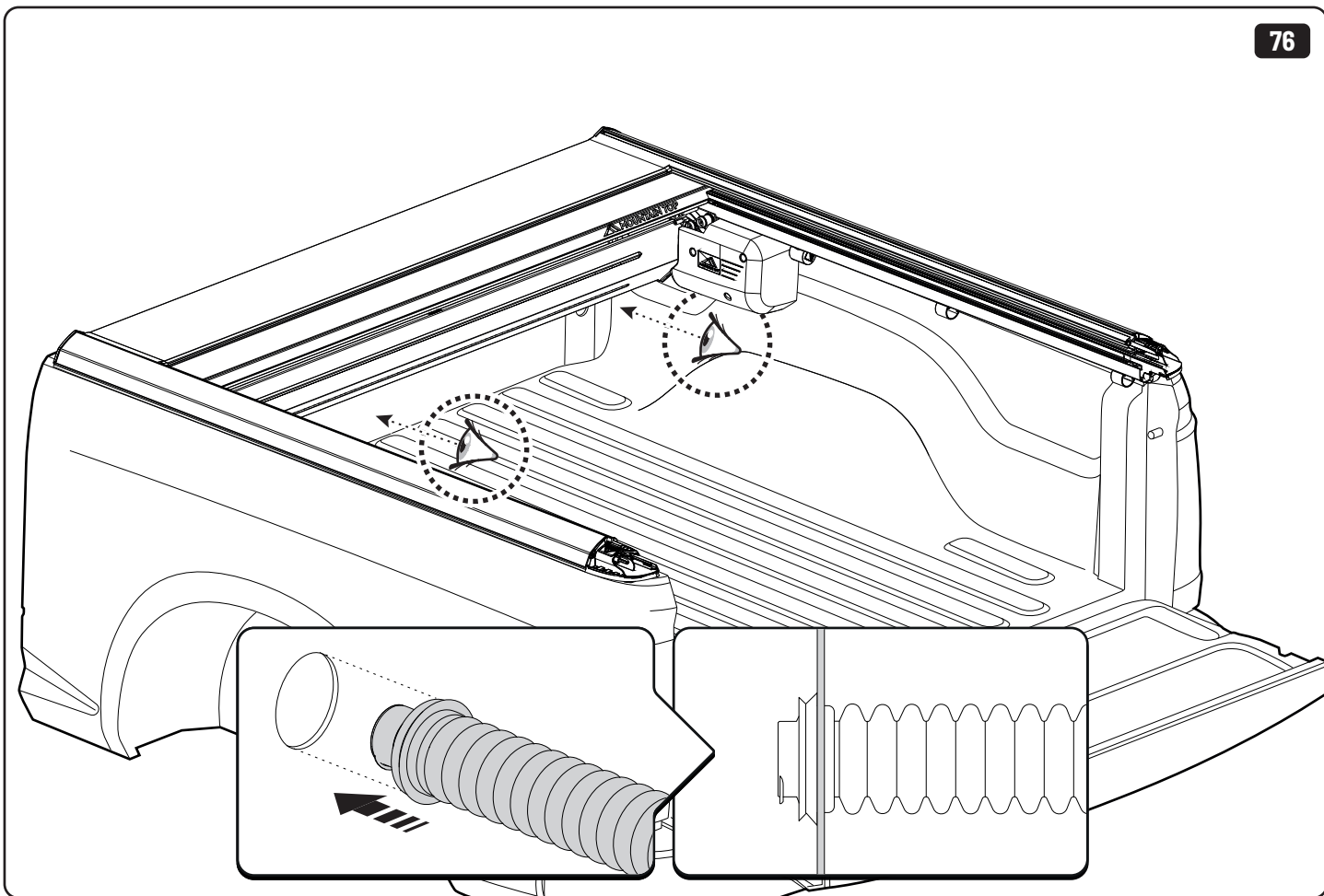


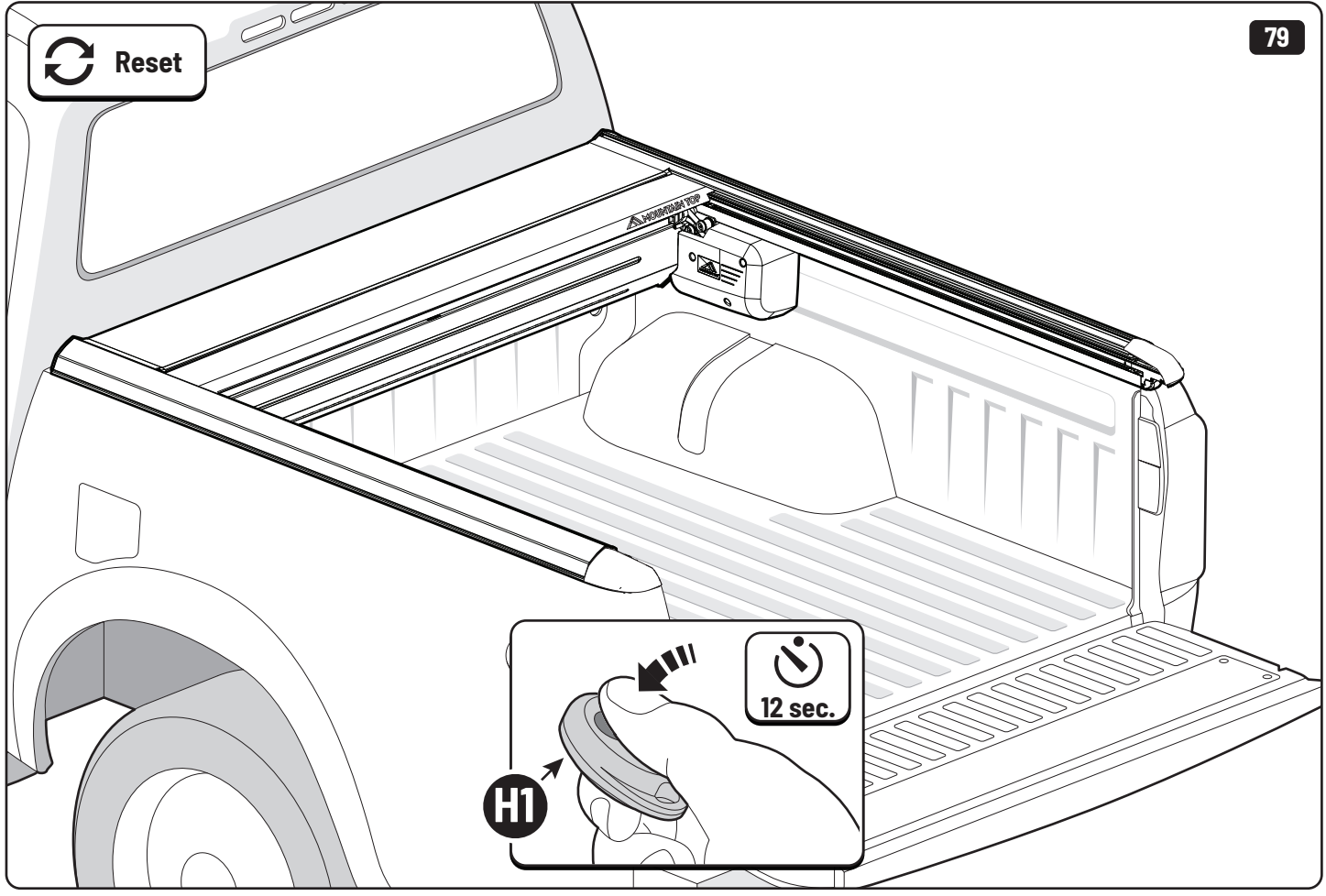
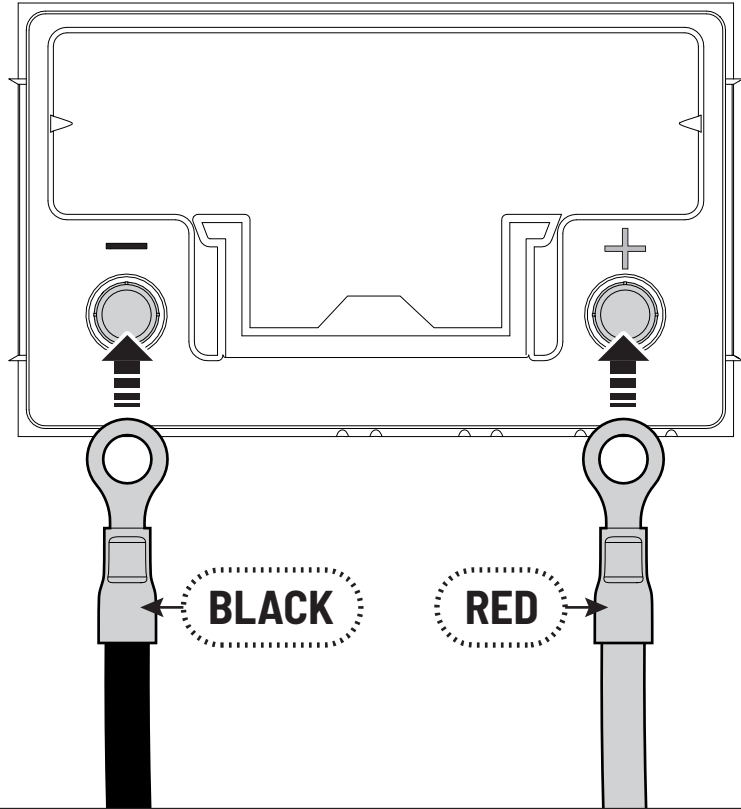


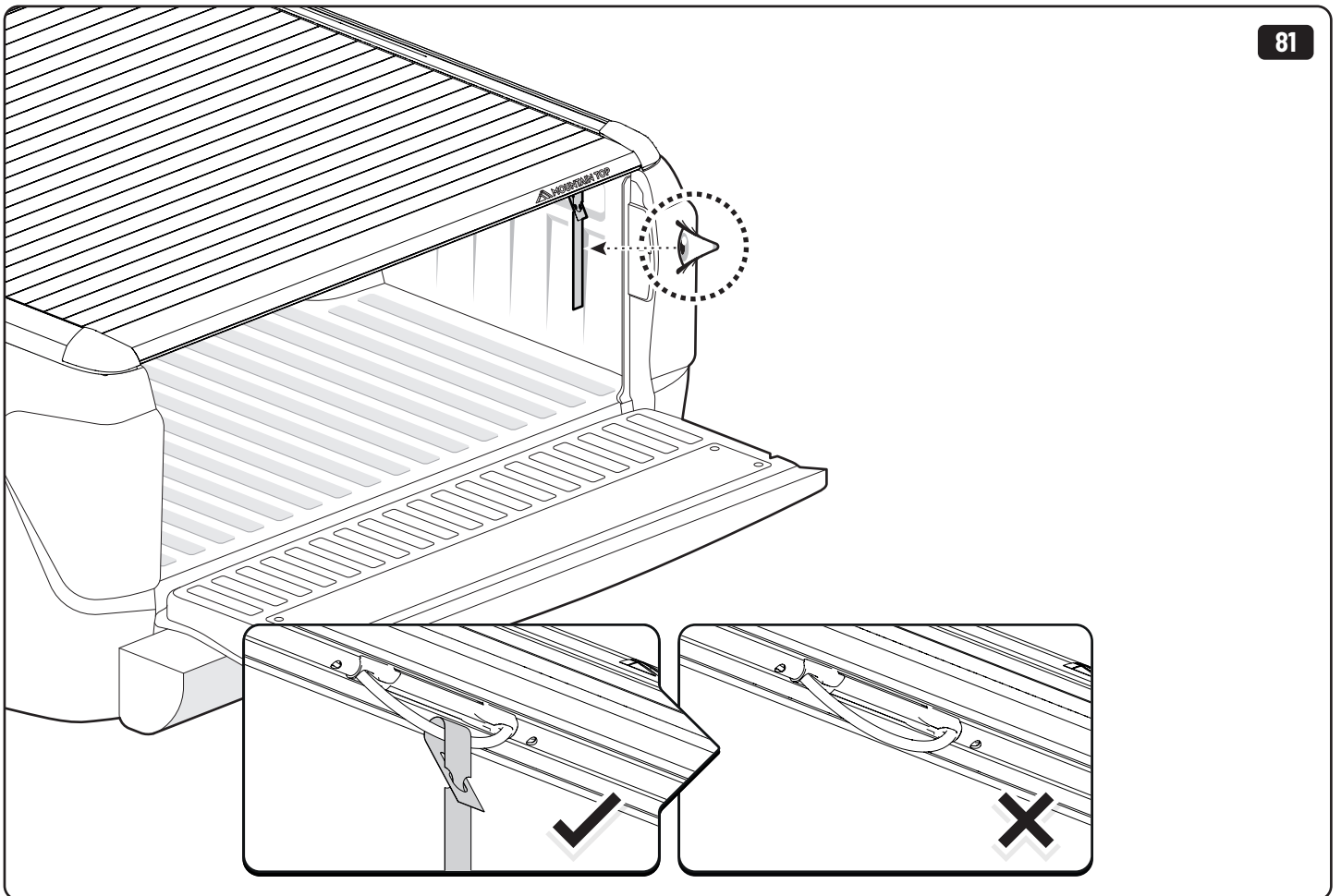
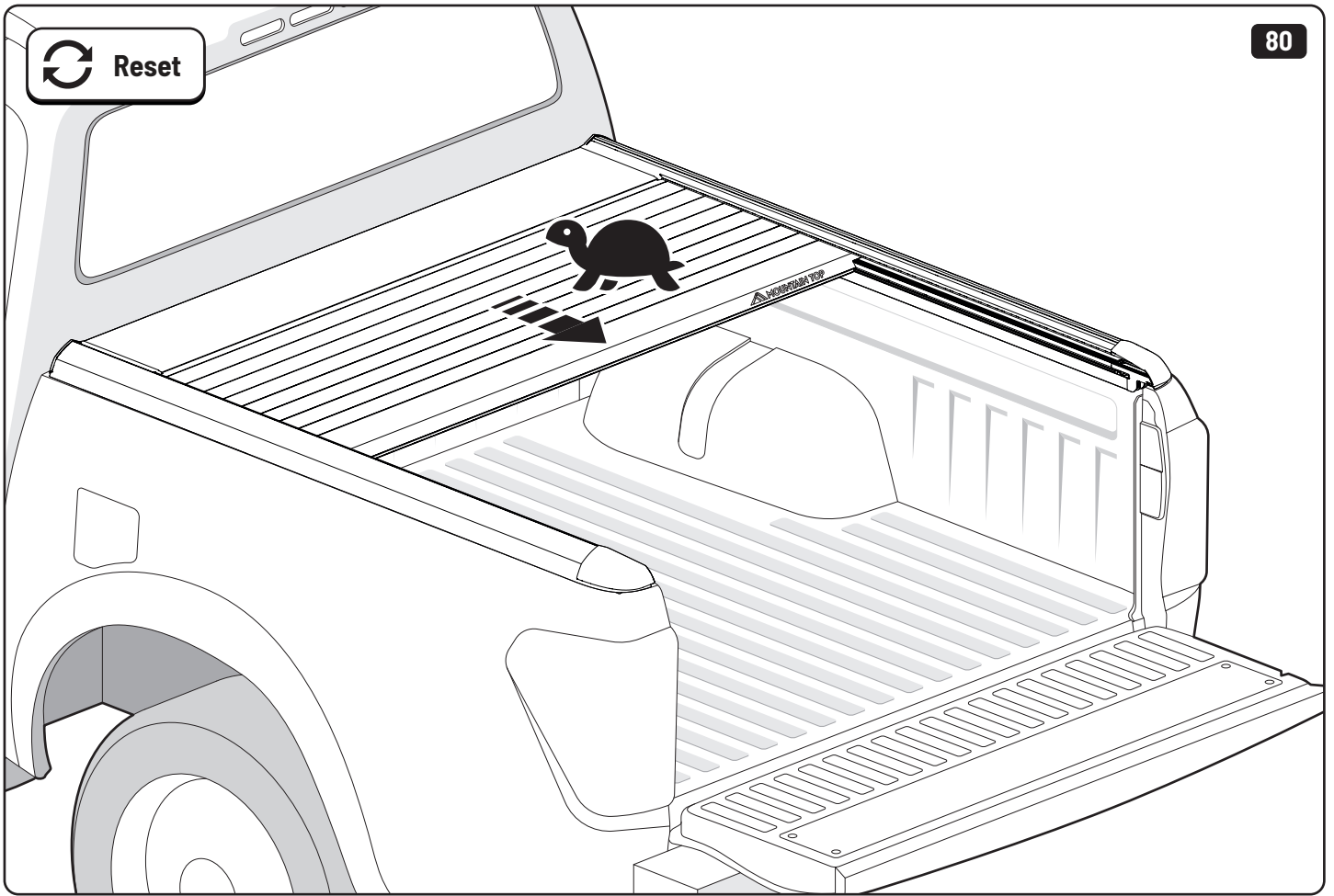














Steps	Page	Done by
Mounting rubber cross	8	
Mounting gliding rail in canister	15	
Holes for drain	23-25	
Width + Cross measurement	35	
Tightening the clamp screw	36-37	
Mounting drain	45	



Customer Service +01677 428799
Support sales@4x4at.com
Website www.4x4at.com
Address 4x4AT, Meridian Park, North Yorkshire, DL7 9UJ, UK

Part number (s)	Model / Year	Cab type (s)	Installation time	Weight
EVOe IS10 AB01	Isuzu / 2020 ->	Double Cab	1 hour (s)	43 kg
EVOe IS11 AB01	Isuzu / 2020 ->	Extra Cab	1 hour (s)	48 kg
EVOe F090 AB01	Ranger / 2011 ->	Double Cab	1 hour (s)	42 kg
EVOe F090 AB01	Raptor / 2018 ->	Double Cab	1 hour (s)	42 kg

GB Installation manual	S Monteringsanvisning	D Einbauanleitung
SF Asennusohje	E Instrucciones de montaje	CZ Návod k instalaci
F Notice de montage	H Szerelési utasítás	I Istruzioni di montaggio
PL Instrukcja montażu	P Instruções de instalação	GR Οδηγίες Εγκατάστασης
NL Installatie-instructies	RUS Инструкция по установке	DK Monteringsvejledning
TR Montaj Talimatı	N Monteringsveiledning	RO Instructiuni de instalare